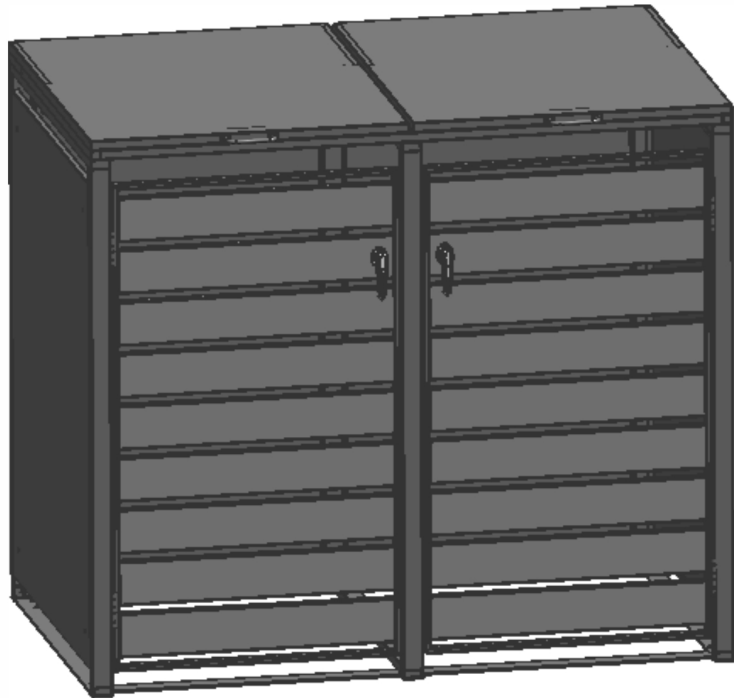






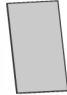














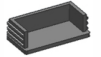



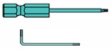
# DUAL 240L LOCKABLE WHEELIE BIN ENCLOSURE



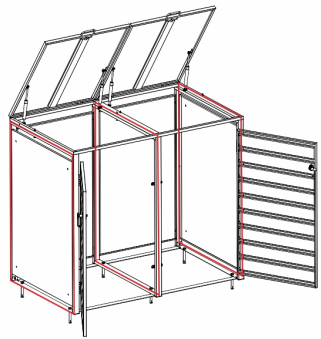
**WRS016**

Instruction and Assembly Guide

## PARTS & COMPONENTS

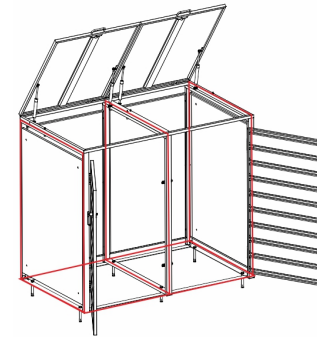
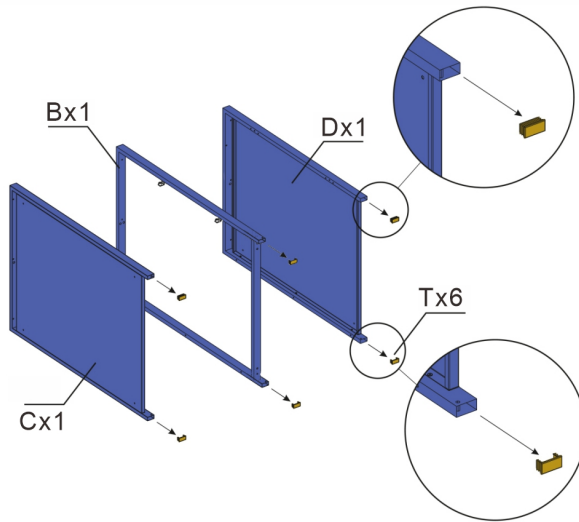
Ax1 	Bx1 	Cx1 	Dx1 
Ex2 	Fx1 	Gx1 	Hx1 
Ix4 	Jx2  M8x12mm	Kx2 	Lx2 
Mx4 	Nx6 	Ox26  M5x8	Px9  M5X35
Qx4  M4x8	Rx16 	Sx16  M5X12	Tx6 
Ux4  M5X12	Vx4 	Wx4 	Ux1 

A x1	Left side frame/panel	M x4	Spring Loaded Guide Pin
B x1	Right side frame/panel	N x6	Concrete expansion bolt
C x1	Rear side frame/panel	O x26	M5 x 8 countersunk screws
D x1	Front frame/panel	P x9	M5 x 35 machine screws
E x2	Solid door or side panels	Q x4	M4 x 8 Countersunk Flat Head Screws screws
F x1	Top panel (2-piece assembly)	R x16	Flat washers
G x1	Louvered/vented panel	S x16	M5 x 12 pan-head screws
H x1	Louvered/vented panel	T x6	Plastic end caps
I x4	Butt Hinge	U x4	M5 x 12 countersunk screws
J x2	Plastic M8 x 12 mm pan head screw and hex bolt	V x4	Washers
K x2	Pull handles	W x4	Hex nuts
L x2	Eyelets Ended Security Wire with S-Biner	U x1	Allen key and screwdriver (assembly tools)



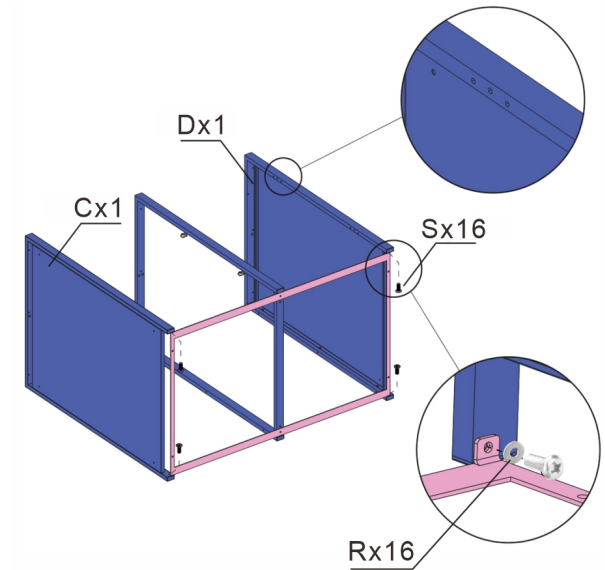
Locate the Left Side Panel (Cx1), Right Side Panel (Dx1) and Centre Panel (Bx1).

Insert the corner protective feet/caps (Tx6) into the designated bottom corners of both side panels and centre panel as shown.



Bring the Left Side Panel (Cx1) and Right Side Panel (Dx1) to the base assembly.

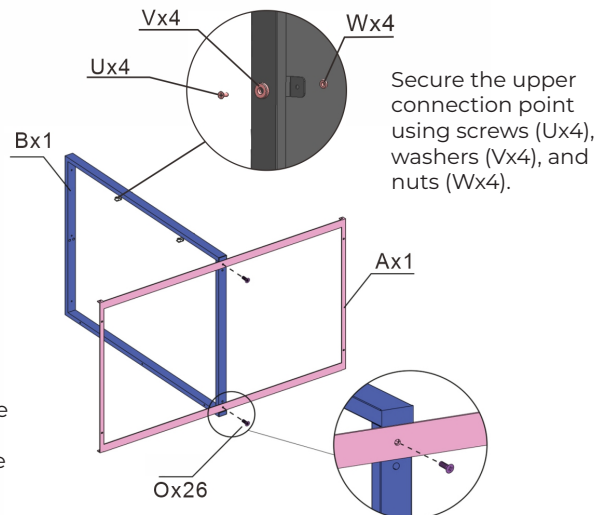
Secure the bottom edges of the side panels to the base frame using screws (Sx16) and washers (Rx16).



## STEP 2: ASSEMBLE THE MAIN FRAME

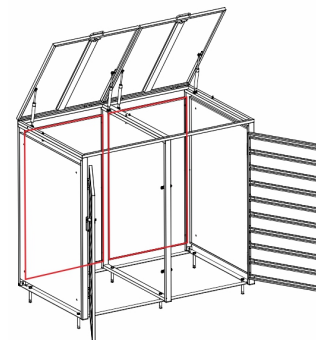


Align the Middle Vertical Frame (Bx1) vertically onto the Center of the Base Frame (Ax1). Secure the lower connection points to the base frame using screws (Ox26).

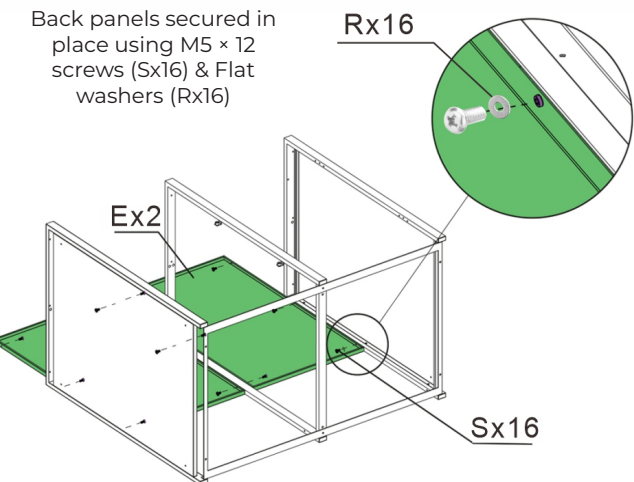


Secure the upper connection point using screws (Ux4), washers (Vx4), and nuts (Wx4).

## STEP 4: INSERT BACK PANELS



Slide the two Back Panels (Ex2) into position along the rear track of the frame structure.

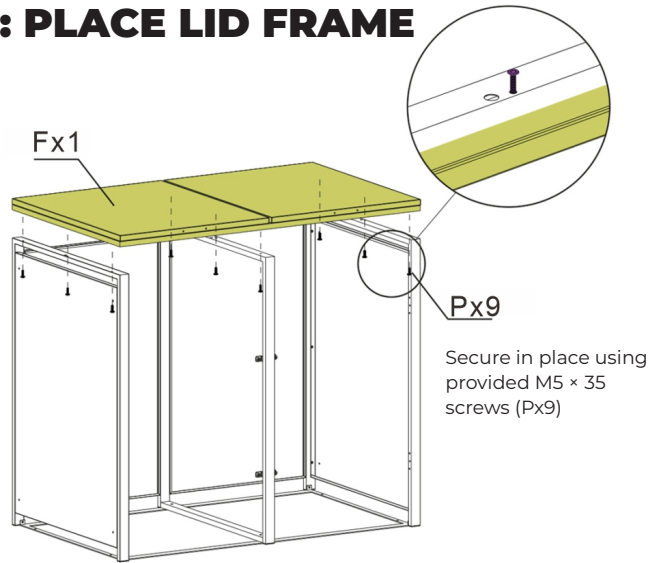


Back panels secured in place using M5 x 12 screws (Sx16) & Flat washers (Rx16)

## STEP 5: PLACE LID FRAME

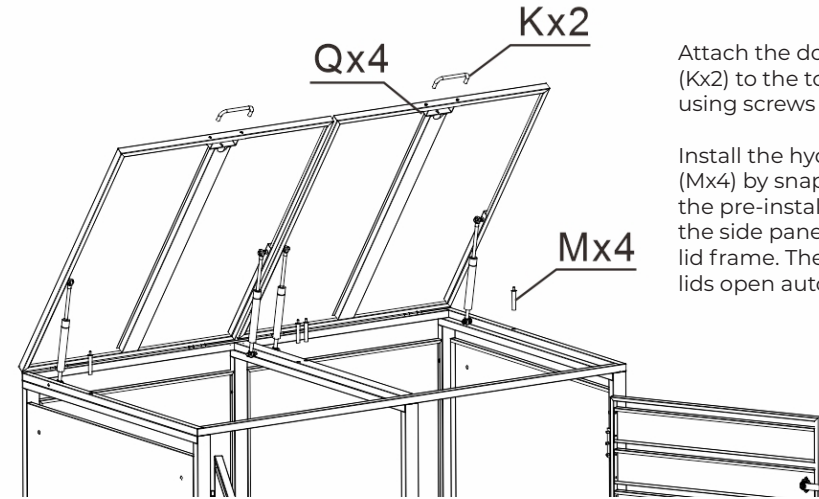


Place the Top Lid Assembly (Fx1) over the top of the assembled structure, aligning it with the corner posts.



Secure in place using provided M5 x 35 screws (Px9)

## STEP 7: INSTALL HANDLES & HYDRAULIC STRUTS



Attach the door/lid handles (Kx2) to the top lid panels using screws (Qx4).

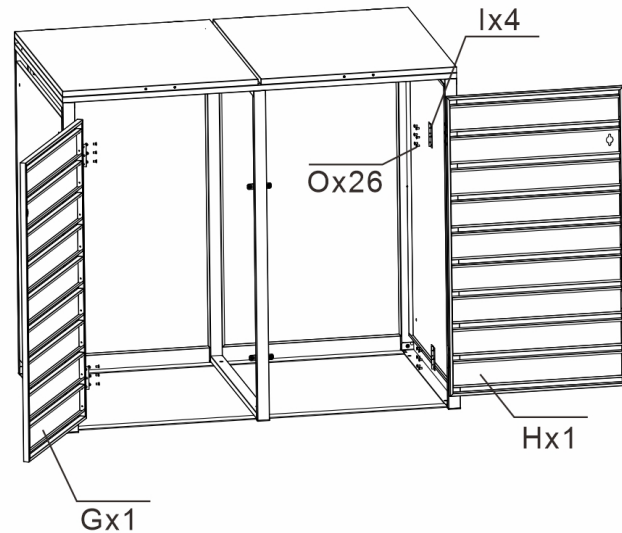
Install the hydraulic gas struts (Mx4) by snapping them onto the pre-installed ball studs on the side panels and the upper lid frame. These will keep the lids open automatically.

## STEP 6: MOUNT THE FRONT DOORS

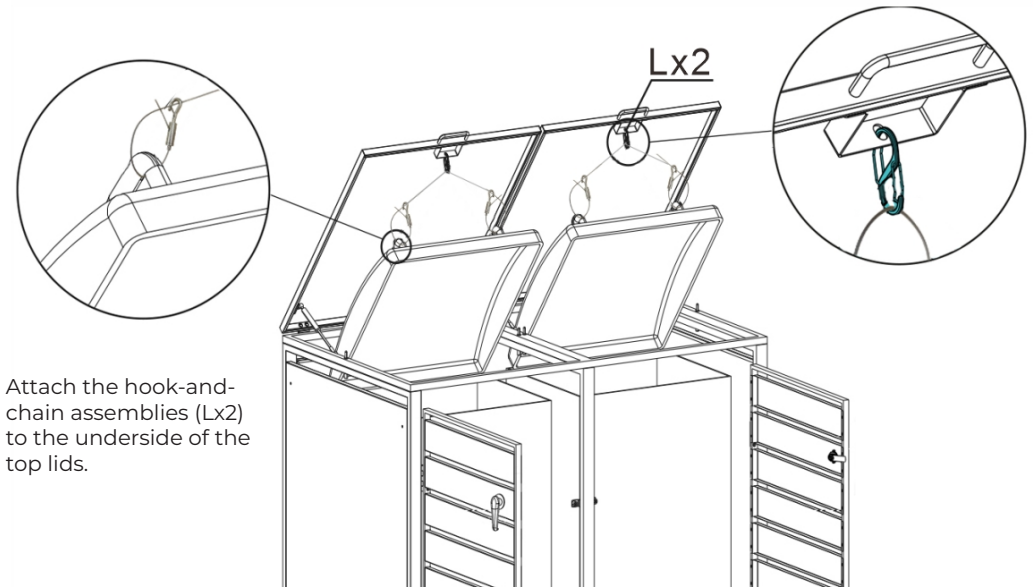


Align the Left Door (Gx1) and Right Door (Hx1) with the front frame.

Fix the doors to the side panels using the hinges (Ix4) and secure them firmly in place using screws (Ox26).



## STEP 8: BIN LID SYNC CHAIN INSTALLATION

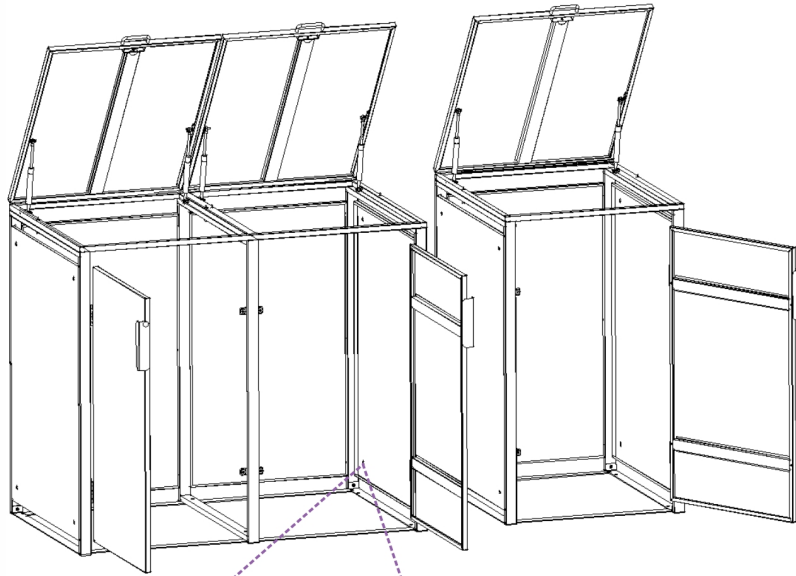


Attach the hook-and-chain assemblies (Lx2) to the underside of the top lids.

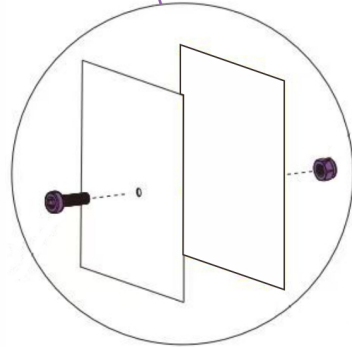
## MODULAR EXPANSION (CONNECTING MULTIPLE UNITS)

If you have purchased more than one unit to create a multi-category recycling station:

Line the completed units up perfectly side-by-side.

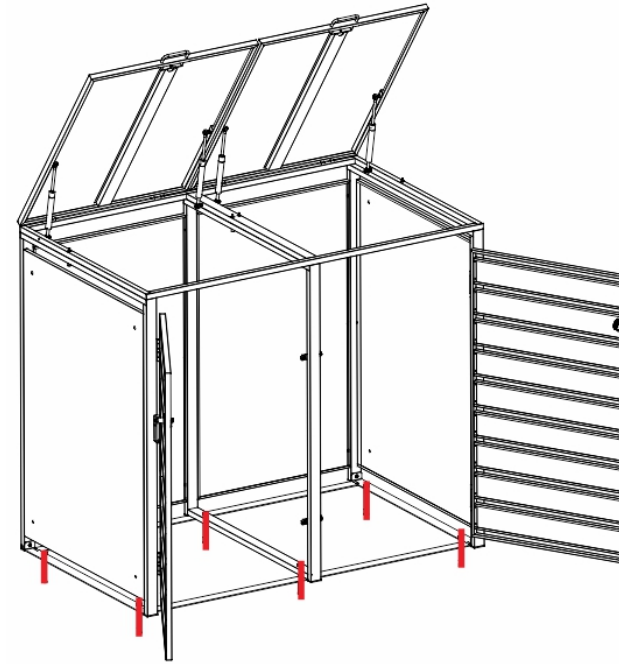


Jx2



**EXPANSION:**  
Multi-category  
garbage box  
connects with  
screws

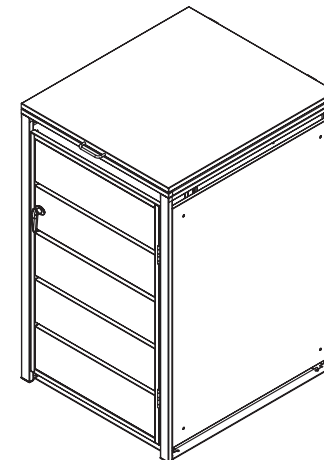
Align the pre-drilled holes on the interior frames and secure the units tightly together using the specialized connecting thumb-bolts (Jx2).



## SECURE TO GROUND (OPTIONAL)

To anchor your storage unit permanently against wind or movement, use the expansion bolts (Nx6) through the pre-drilled holes in the base frame into your concrete or solid ground surface.

## ALSO AVAILABLE FROM RICHMOND ROLLING SOLUTIONS:



### 240L LOCKABLE WHEELIE BIN ENCLOSURE | WRS015

- Can connect and combine with WRS016
- Hide and secure wheelie bins on your property
- Suitable for Wheelie bins up to 240 Litre
- Supplied flat packed.



AUSTRALIA  
1300 474 246  
richmondau.com

NEW ZEALAND  
0800 61 71 81  
richmondnz.co.nz