







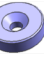

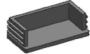














240L LOCKABLE WHEELIE BIN ENCLOSURE



WRS015

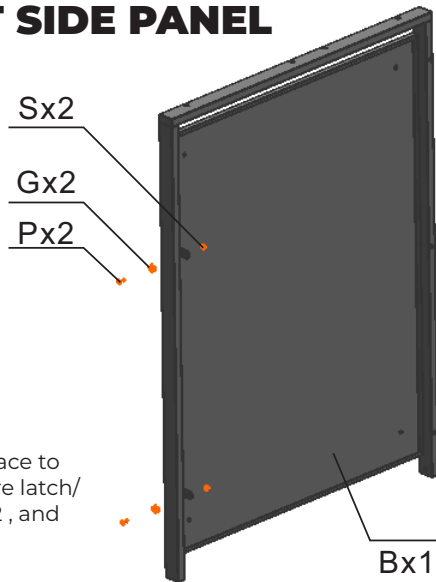
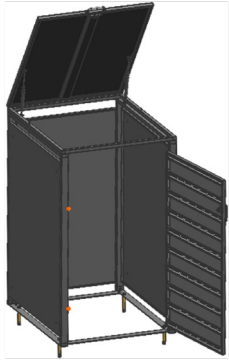
Instruction and Assembly Guide

PARTS & COMPONENTS

Ax1 	Bx1 	Cx1 	Dx1 
Ex1 	Fx1 	Gx2 	Hx2 
Ix4 	Jx1 	Kx1 	Lx1 
Mx2 	Nx4 	Ox12  M5x8	Px2  M5X12
Qx6  M5X35	Rx2  M4x8	Sx2  M5	Tx10  M5X12
Ux10 	Vx2  M8x12mm	Wx1 	

A x1	Base frame panel	M x2	Spring Loaded Guide Pin
B x1	Left side panel	N x4	Concrete expansion bolt
C x1	Right side panel	O x12	M5 x 8 countersunk screws
D x1	Back panel	P x2	M5 x 12 countersunk screws
E x1	Top panel	Q x6	M5 x 35 machine screws
F x1	Louvered/vented panel	R x2	M4 x 8 Countersunk Flat Head Screws screws
G x2	Washers	S x2	Hex nuts
H x2	Butt Hinge	T x10	M5 x 12 pan-head screws
I x4	Plastic end caps	U x10	Flat washers
J x1	Front Door handle	V x2	Plastic M8 x 12 mm pan head screw and hex bolt
K x1	Pull handles	W x1	Allen key and screwdriver (assembly tools)
L x1	Eyelets Ended Security Wire with S-Biner		

STEP 1: LEFT SIDE PANEL

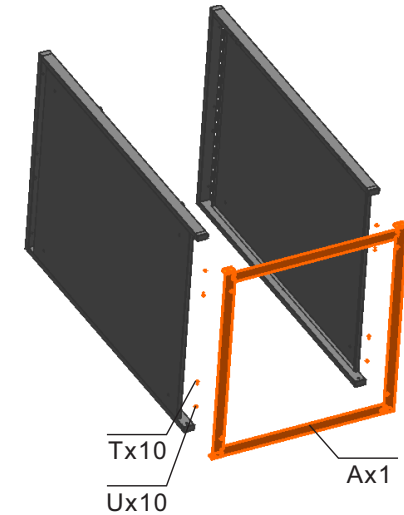


Lay the Left Side Panel (Bx1) flat on a soft surface to prevent scratching. Attach the small hardware latch/connector pieces using components Sx2, Gx2, and Px2 to the interior face of the panel.

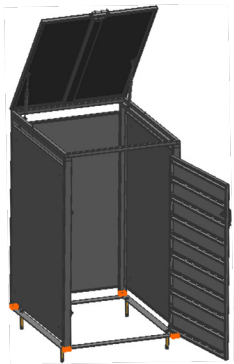
STEP 3: ATTACH THE SIDE PANELS

Bring the Left Side Panel (Bx1) and Right Side Panel (Cx1) to the base assembly (Ax1).

Secure the bottom edges of the side panels to the base frame using screws (Tx10) and washers (Ux10).

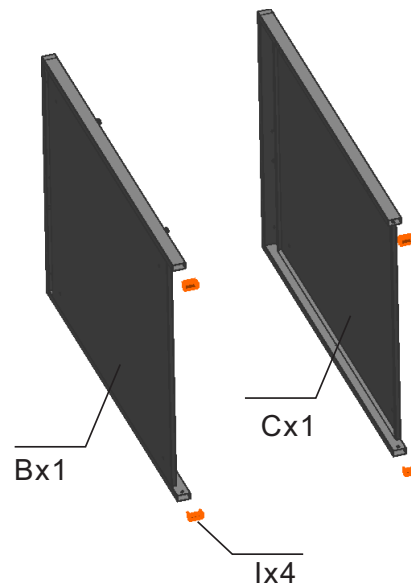


STEP 2: INSTALL PROTECTIVE FEET

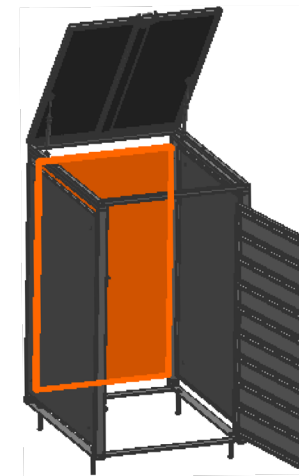


Locate the Left Side Panel (Bx1), Right and Side Panel (Cx1).

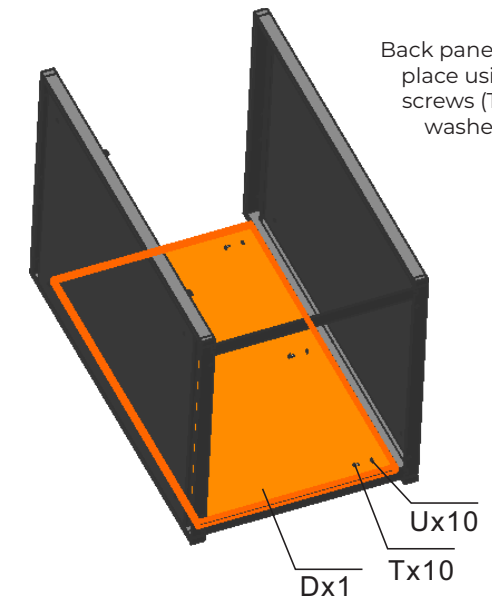
Insert the corner protective feet/caps (Ix4) into the designated bottom corners of both side panels and centre panel as shown.



STEP 4: INSERT BACK PANELS

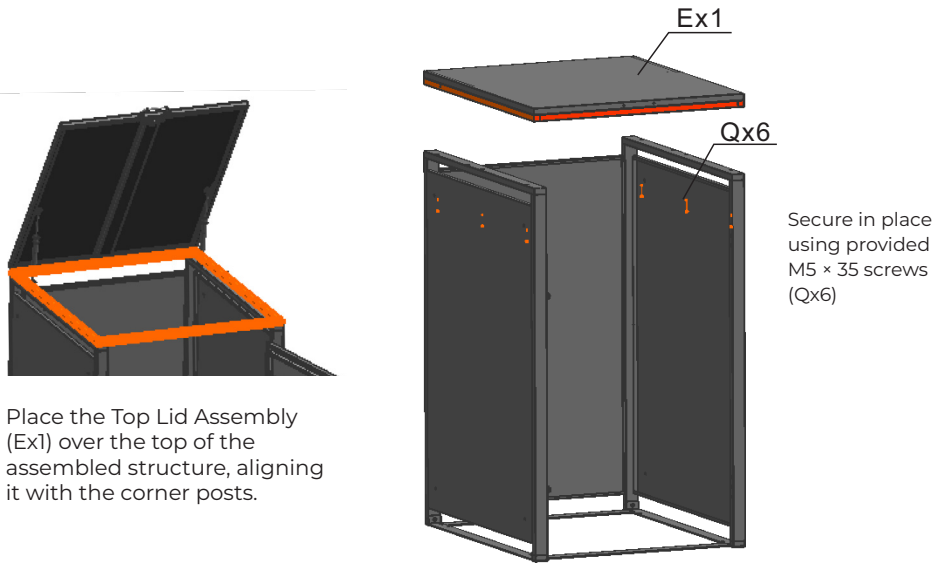


Slide the Back Panels (Dx1) into position along the rear track of the frame structure.

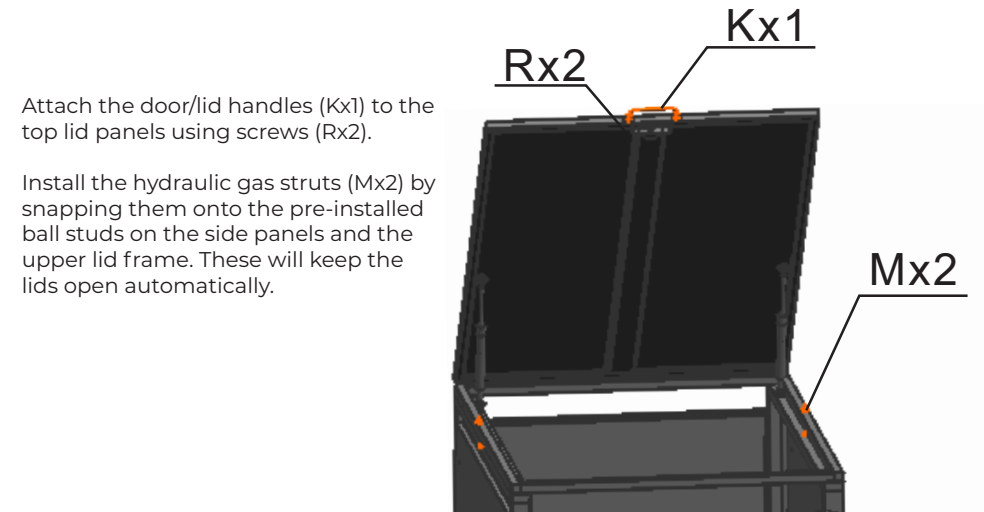


Back panels secured in place using M5 x 12 screws (Tx10) & Flat washers (Ux10)

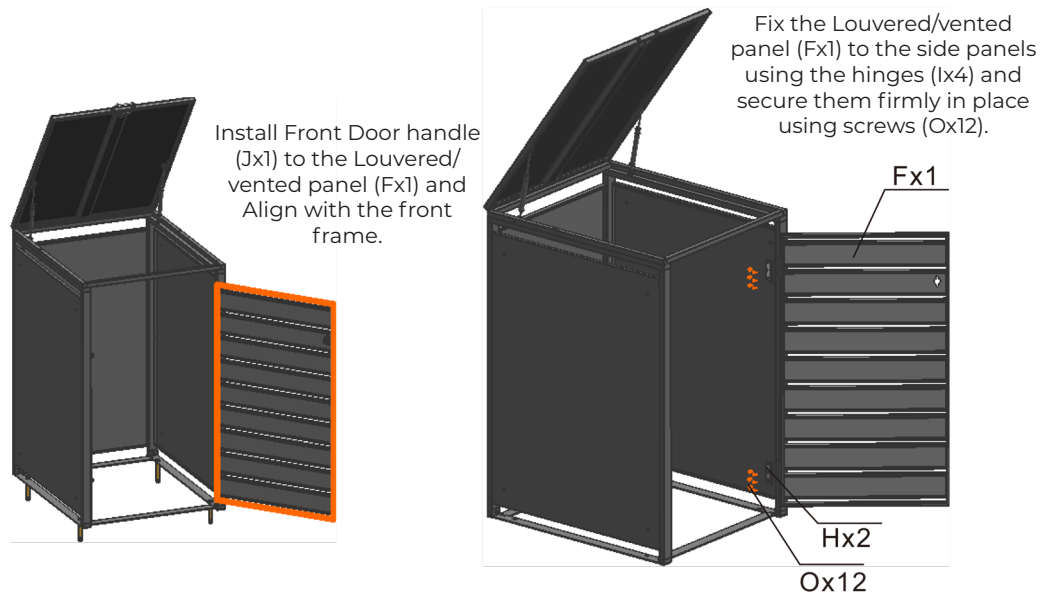
STEP 5: PLACE LID FRAME



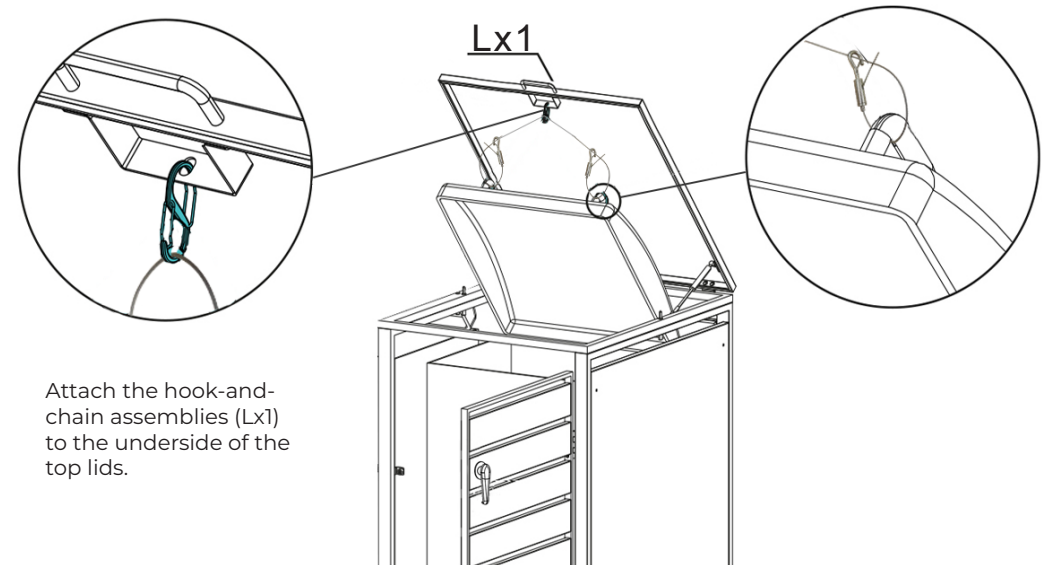
STEP 7: INSTALL HANDLES & HYDRAULIC STRUTS



STEP 6: MOUNT THE FRONT DOORS



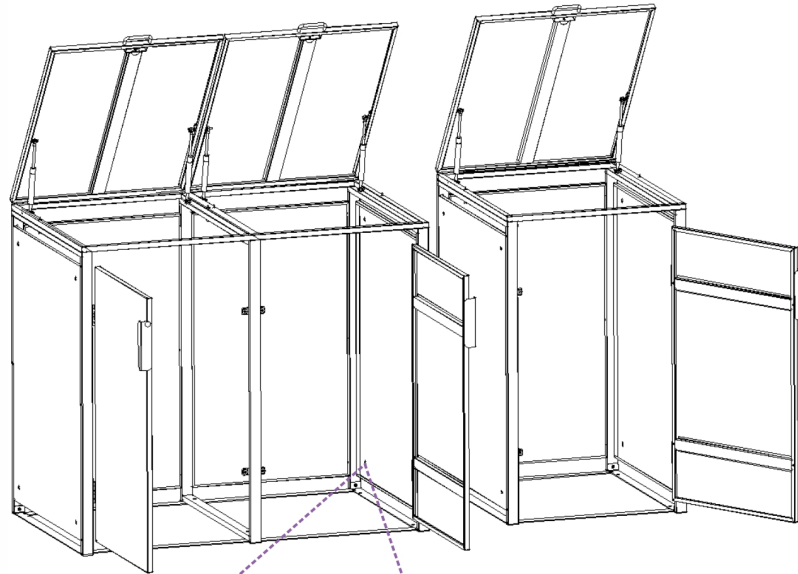
STEP 8: BIN LID SYNC CHAIN INSTALLATION



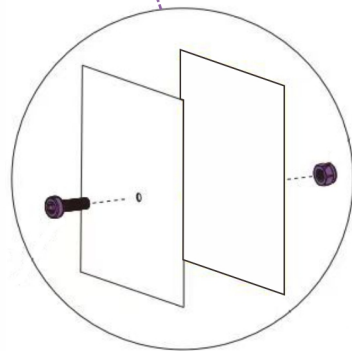
MODULAR EXPANSION (CONNECTING MULTIPLE UNITS)

If you have purchased more than one unit to create a multi-category recycling station:

Line the completed units up perfectly side-by-side.

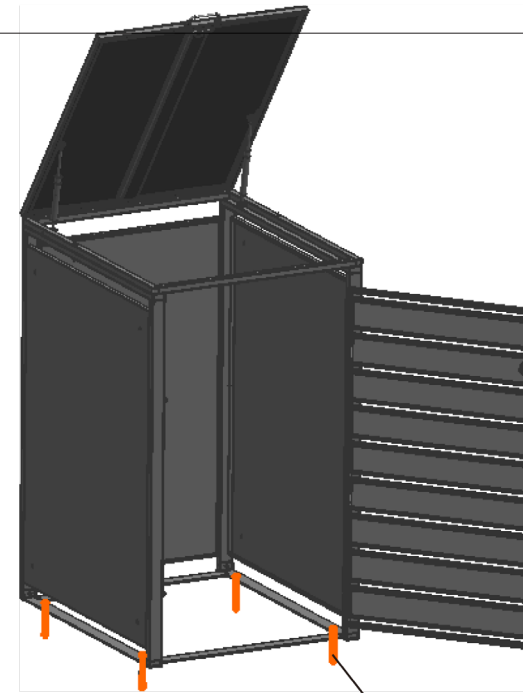


Vx2



EXPANSION:
Multi-category
garbage box
connects with
screws

Align the pre-drilled holes on the interior frames and secure the units tightly together using the specialized connecting thumb-bolts (Vx2).

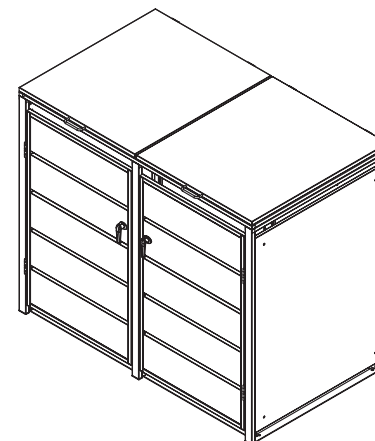


Nx4

SECURE TO GROUND (OPTIONAL)

To anchor your storage unit permanently against wind or movement, use the expansion bolts (Nx4) through the pre-drilled holes in the base frame into your concrete or solid ground surface.

ALSO AVAILABLE FROM RICHMOND ROLLING SOLUTIONS:



DOUBLE 240L LOCKABLE WHEELIE BIN ENCLOSURE | WRS016

- Can connect and combine with WRS015
- Hide and secure wheelie bins on your property
- Suitable for Wheelie bins up to 240 Litre
- Supplied flat packed.



AUSTRALIA
1300 474 246
richmondau.com

NEW ZEALAND
0800 61 71 81
richmondnz.co.nz