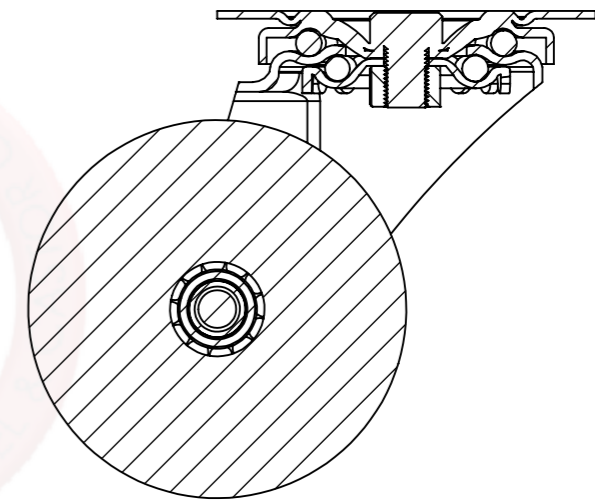
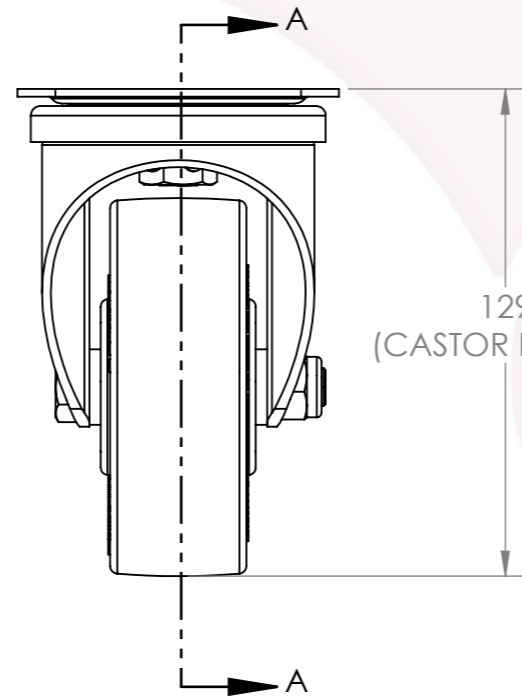
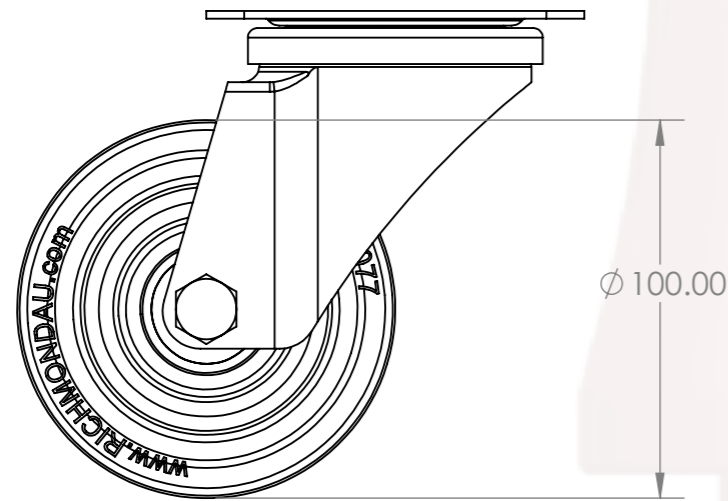
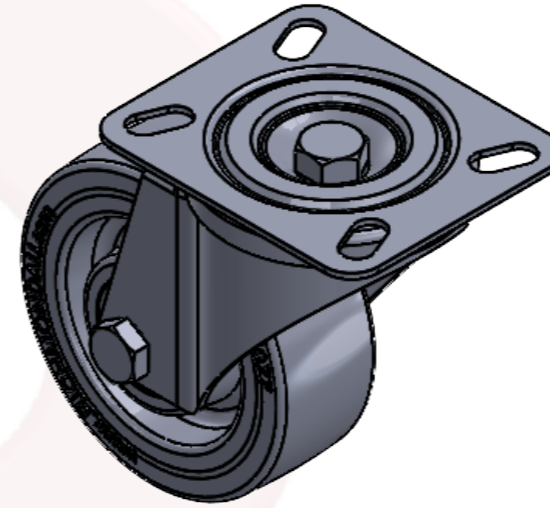
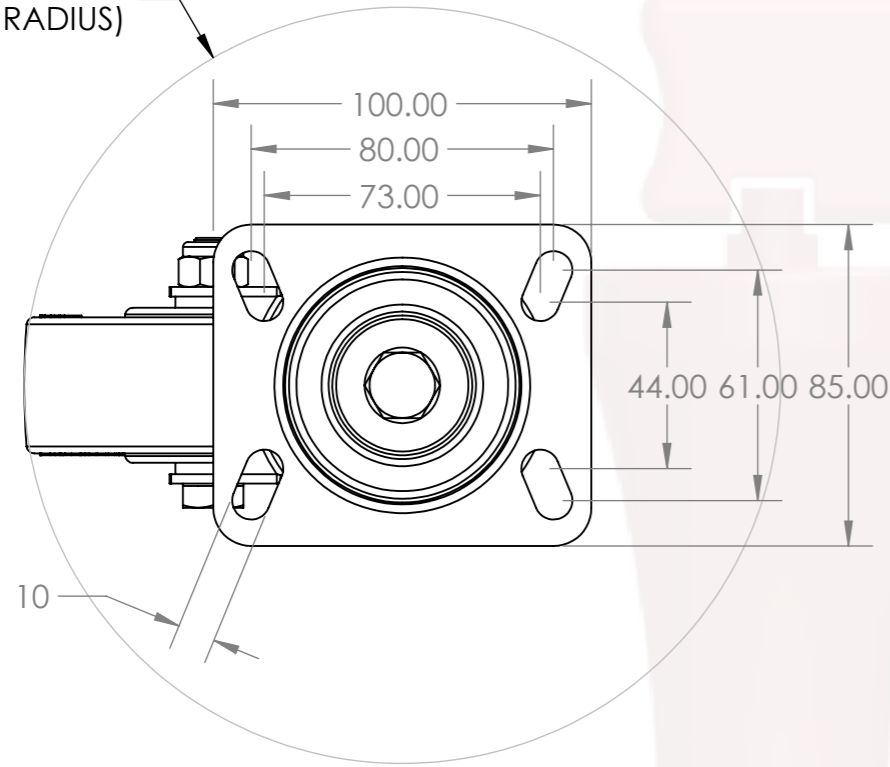


R100.00
(SWIVEL RADIUS)



SECTION A-A

| | |
|--------------------|-------|
| CUSTOMER APPROVAL: | NAME: |
| COMPANY: | SIGN: |
| SALES PERSON: | DATE: |

TITLE:
**RICHMOND WHEEL &
CASTOR CO.**

DWG NO. **S4042** A3

PROPRIETARY AND CONFIDENTIAL
THE INFORMATION CONTAINED IN THIS DRAWING
IS THE SOLE PROPERTY OF
Richmond Wheel & Castor Co.
ANY REPRODUCTION IN PART OR AS A WHOLE WITHOUT
THE WRITTEN PERMISSION OF
Richmond Wheel & Castor Co.
IS PROHIBITED.

| | NAME | SIGNATURE | DATE |
|--------|--------|-----------|-----------|
| DRAWN | WILSON | WH | 7/05/2026 |
| CHK'D | TOM | TM | 7/05/2026 |
| APPV'D | BREON | BW | 7/05/2026 |
| MFG | TOM | TM | 7/05/2026 |
| Q.A | PAUL | PC | 7/05/2026 |

UNLESS OTHERWISE SPECIFIED:
DIMENSIONS ARE IN MILLIMETERS
TOLERANCES TO 0.25MM

DEBUR AND
BREAK SHARP
EDGES



WEIGHT:

DO NOT SCALE DRAWING

SHEET 1 OF 1