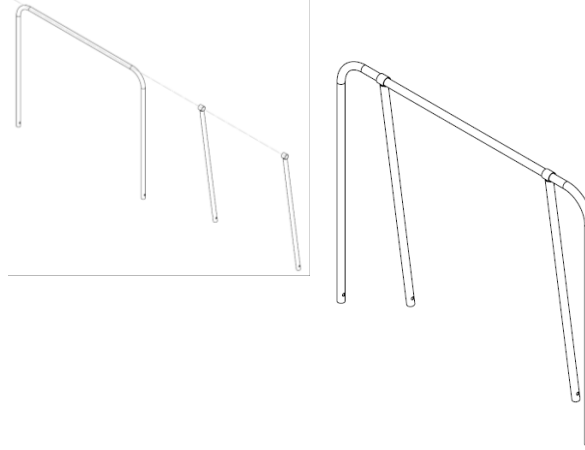
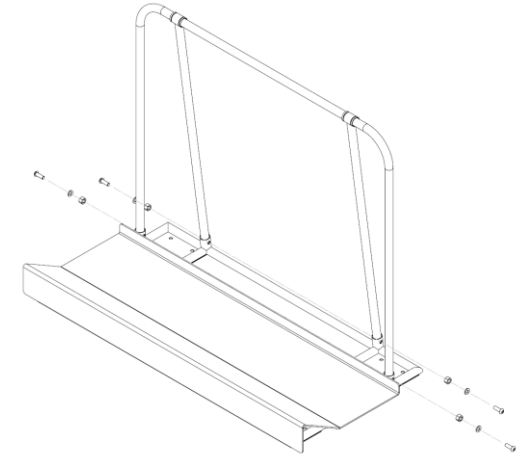


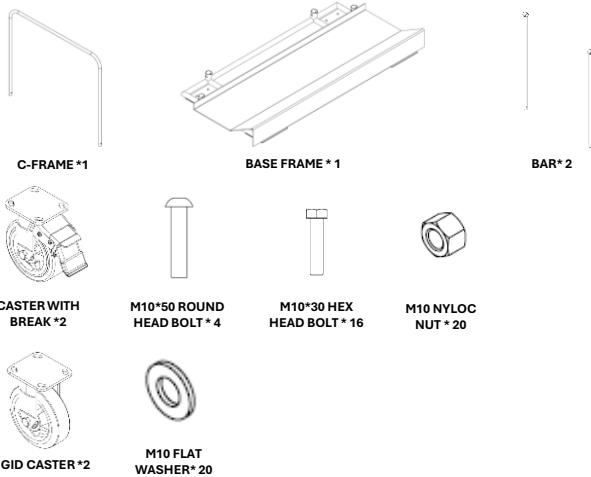
**STEP1:**  
INSERT THE TWO BARS THROUGH THE C-FRAME AS SHOWN IN THE IMAGE.



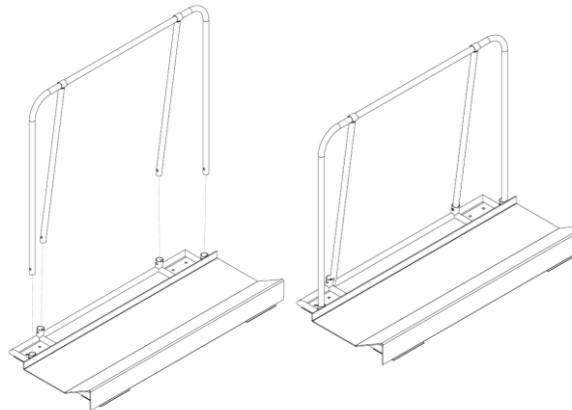
**STEP3:**  
FASTEN THE BASE FRAME TO THE C-FRAME USING M10 x 50 ROUND HEAD BOLTS, WASHERS, AND NUTS.



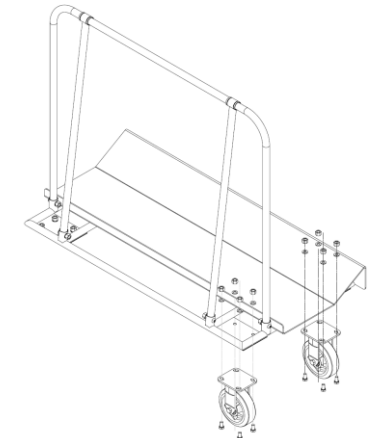
**PART LIST CHECK:**



**STEP2:**  
INSERT AND C-FRAME AND BARS ONTO THE BASED FRAME



**STEP4:**  
INSTALL THE RIGID CASTORS USING M10 HEX HEAD BOLTS, WASHERS, AND NUTS.



**STEP5:**

INSTALL THE SWIVEL CASTORS WITH BREAK USING M10 HEX HEAD BOLTS, WASHERS, AND NUTS.

