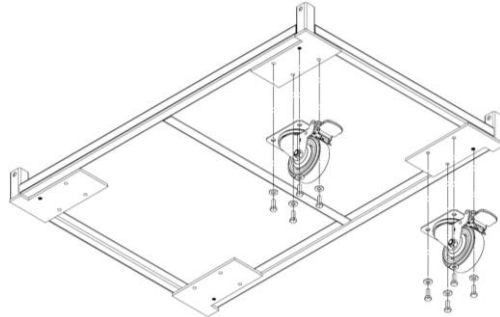
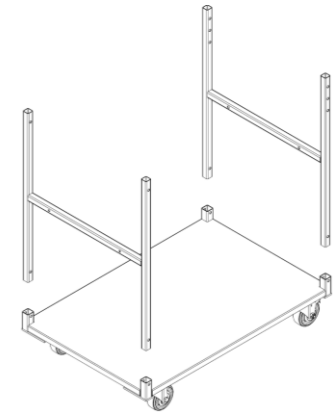




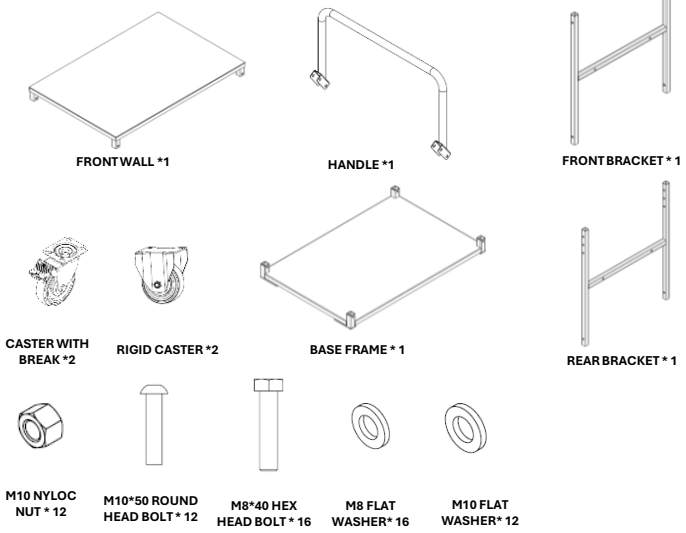
STEP1:
INSTALL CASTERS TO BASE USING M8 HEX HEAD BOLTS



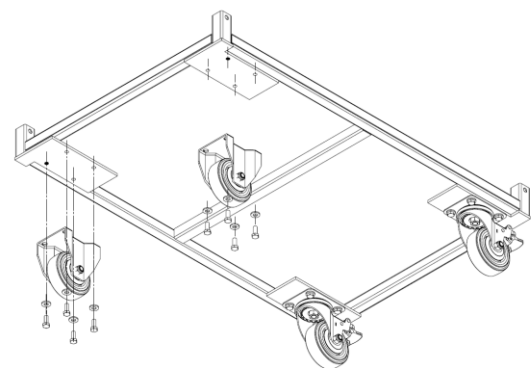
STEP3:
PUT THE FRONT BRACK AND REAR BACKET IN TO THE BASE POND



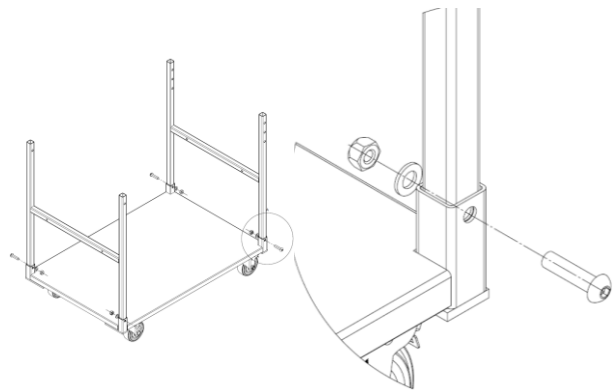
PARTS LIST CHECK:



STEP2:
INSTALL RIGID CASTERS TO BASE USING M8 HEX HEAD BOLTS

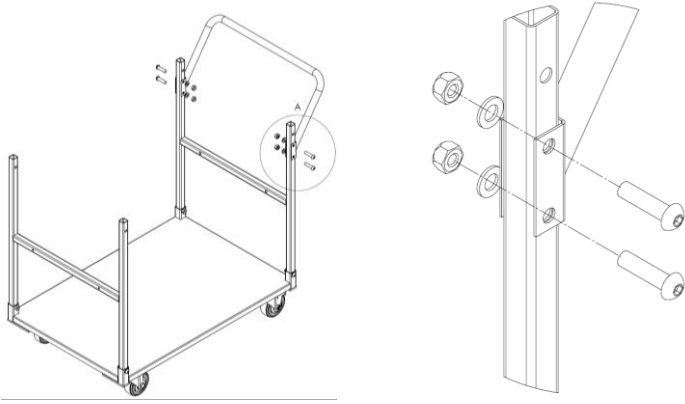


STEP4:
FIX THE BRACKET TO THE FRONT BRACKET AND REAR BRACKET USING M10 ROUND HEAD BOLTS, WASHERS, AND NUTS. INSERT THE BOLT THROUGH BOTH BRACKETS AND TIGHTEN SECURELY.



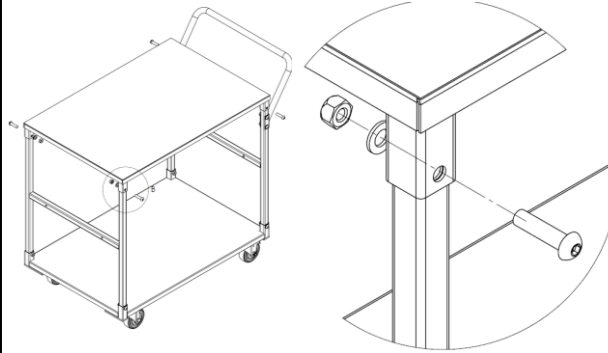
STEP5:

INSTALL THE HANDLE TO THE FRAME USING M10 ROUND HEAD BOLTS, WASHERS, AND NUTS. ALIGN THE HANDLE WITH THE MOUNTING HOLES AND TIGHTEN SECURELY.



STEP7:

SECURE THE TOP FRAME TO THE BRACKETS USING M10 ROUND HEAD BOLTS, WASHERS, AND NUTS. ENSURE ALL BOLTS ARE FULLY TIGHTENED AND THE TOP FRAME IS FIXED SECURELY IN POSITION.



STEP6:

PLACE THE TOP FRAME ONTO THE BRACKETS. ENSURE ALL MOUNTING POINTS ARE ALIGNED CORRECTLY AND THE FRAME SITS SECURELY IN POSITION.

