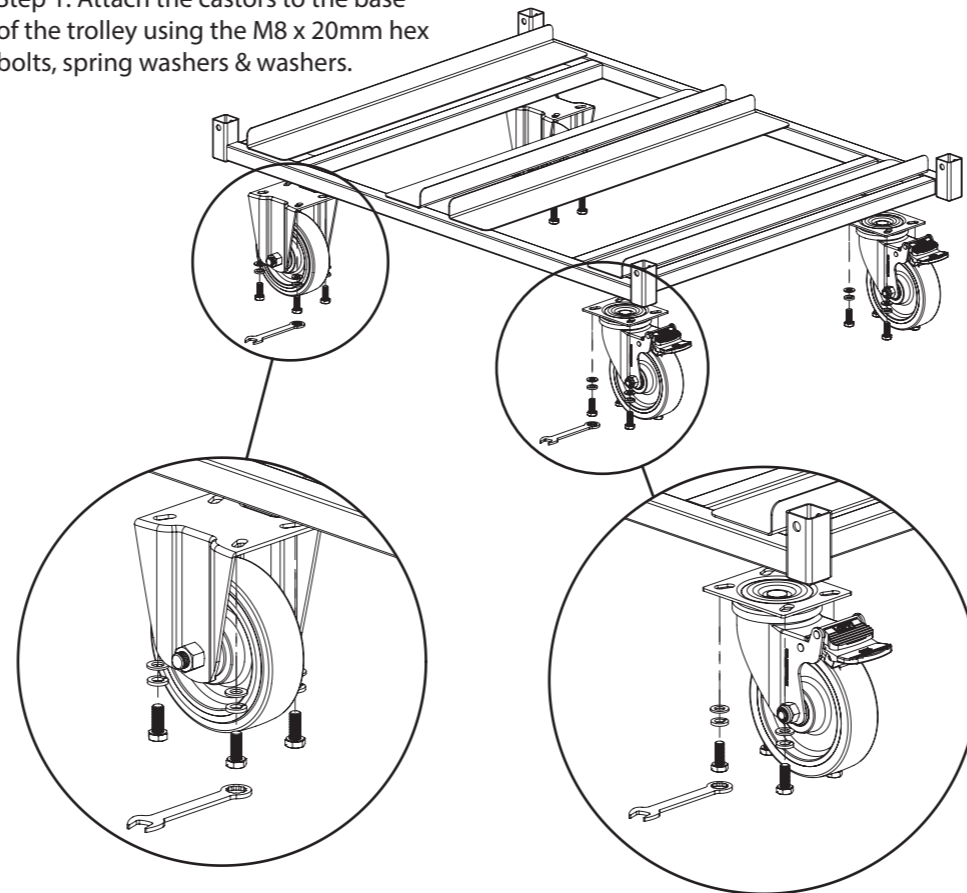
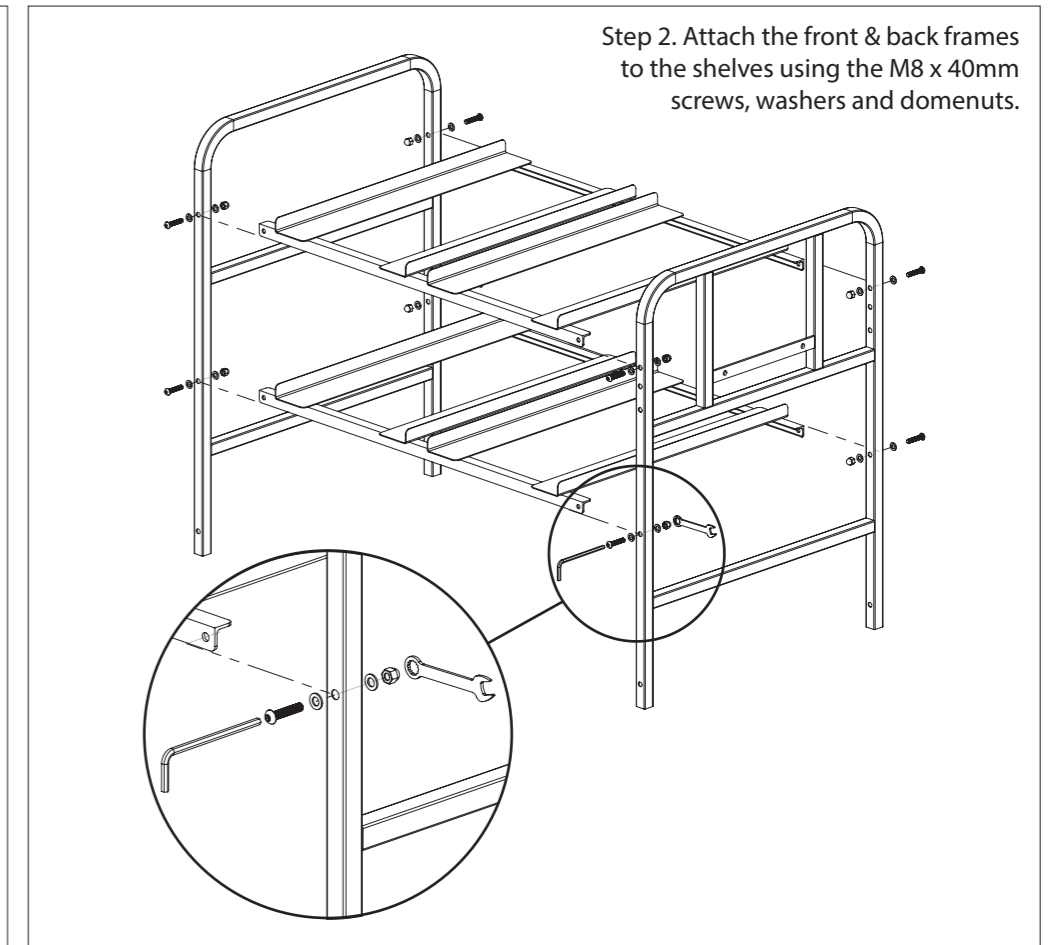




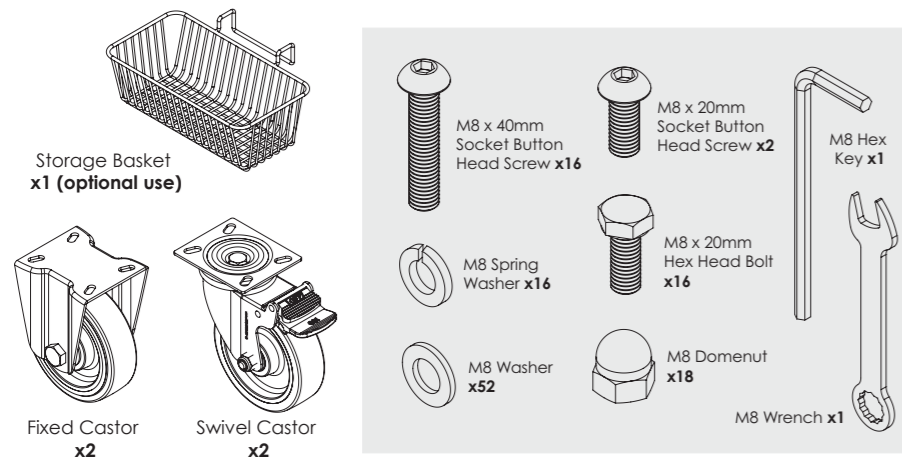
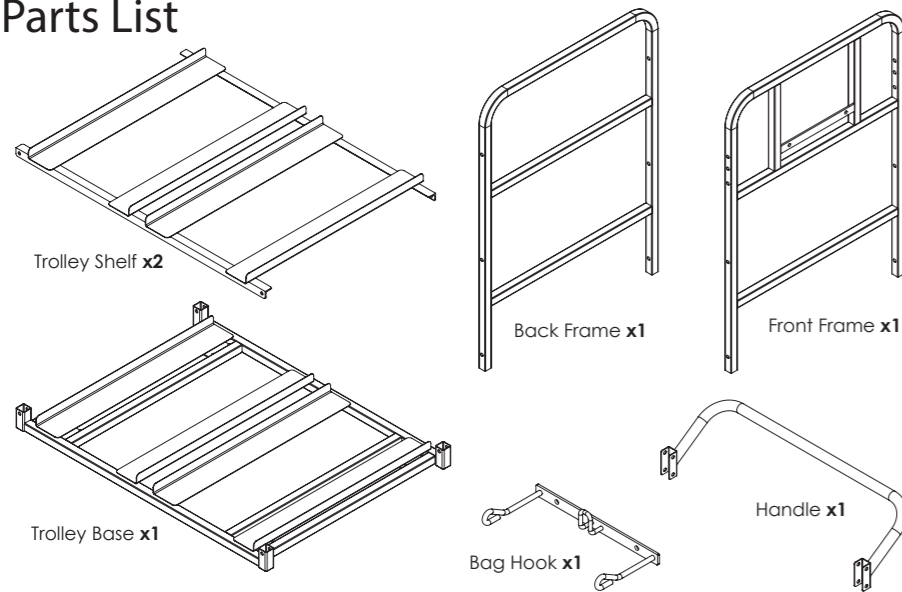
Step 1. Attach the castors to the base of the trolley using the M8 x 20mm hex bolts, spring washers & washers.



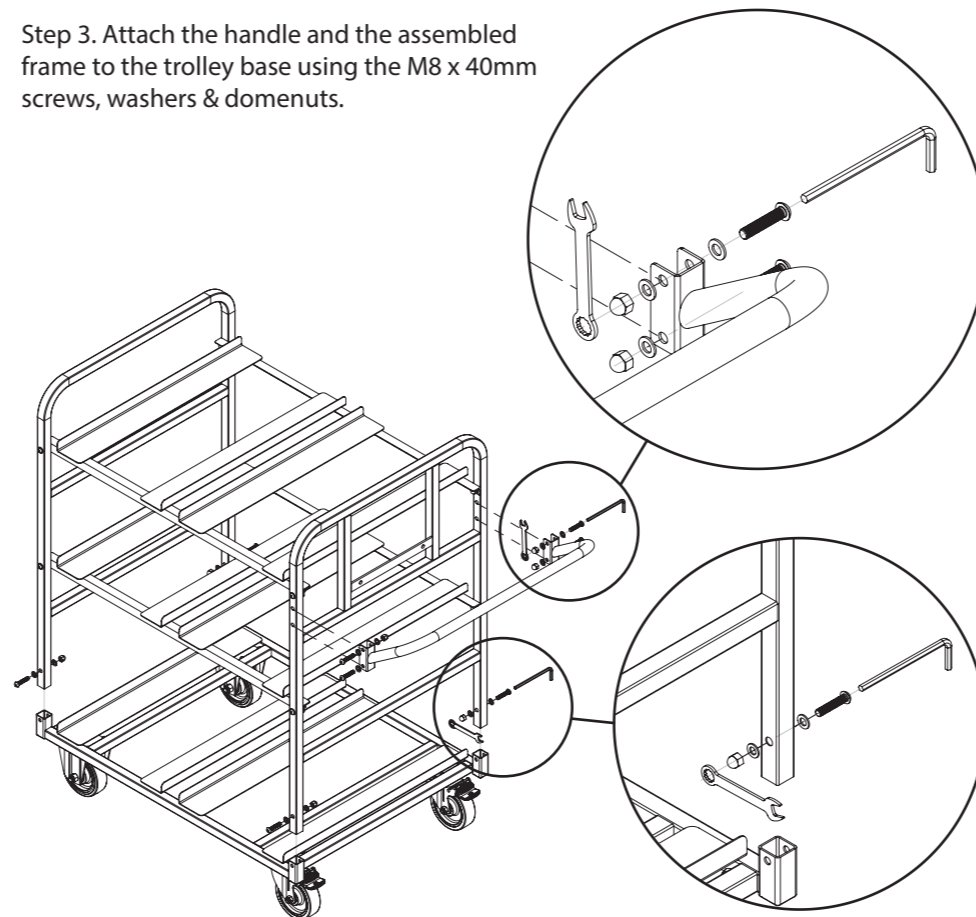
Step 2. Attach the front & back frames to the shelves using the M8 x 40mm screws, washers and dometuts.



**Parts List**



Step 3. Attach the handle and the assembled frame to the trolley base using the M8 x 40mm screws, washers & dometuts.



Step 4. Attach the bag hook onto the front frame using the M8 x 20mm screws, washers & dometuts.

