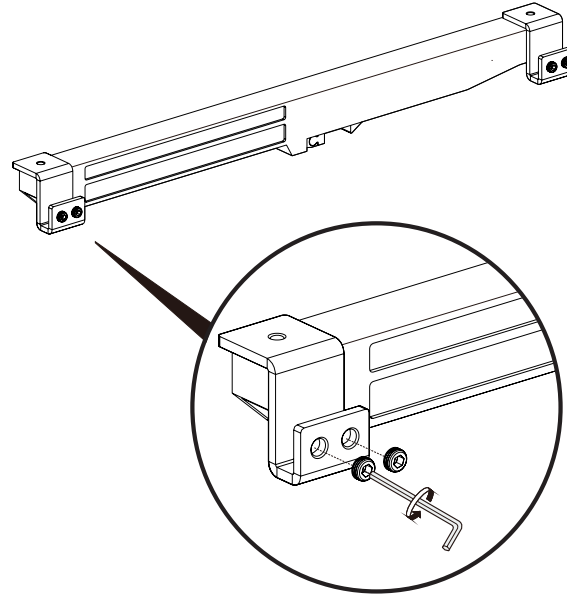
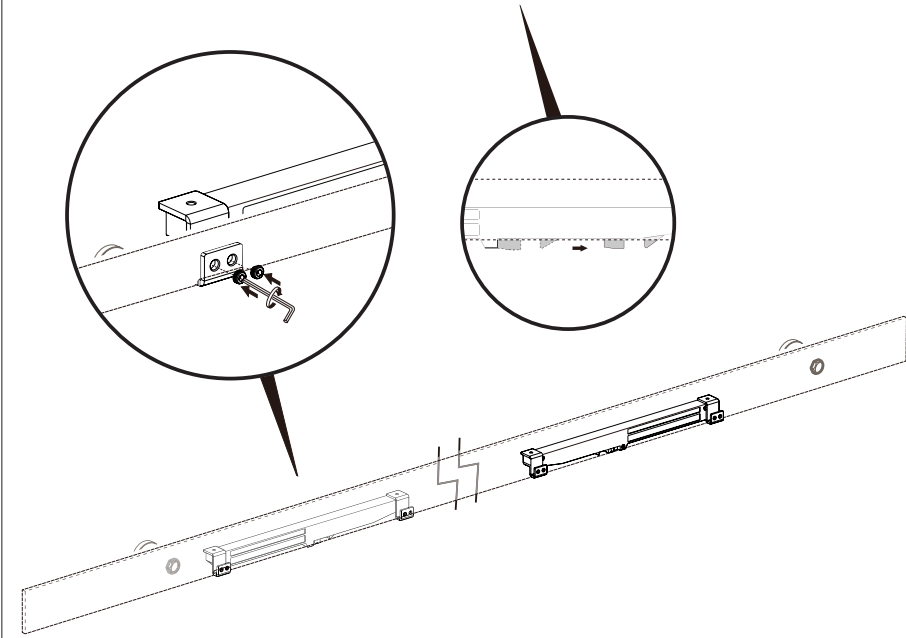


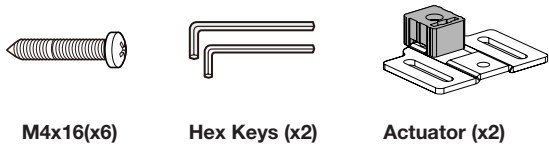
Step 01: Insert set screws into the holes on mounting bracket of the Right Soft Close Unit, usind the hex key to tighten the screws.



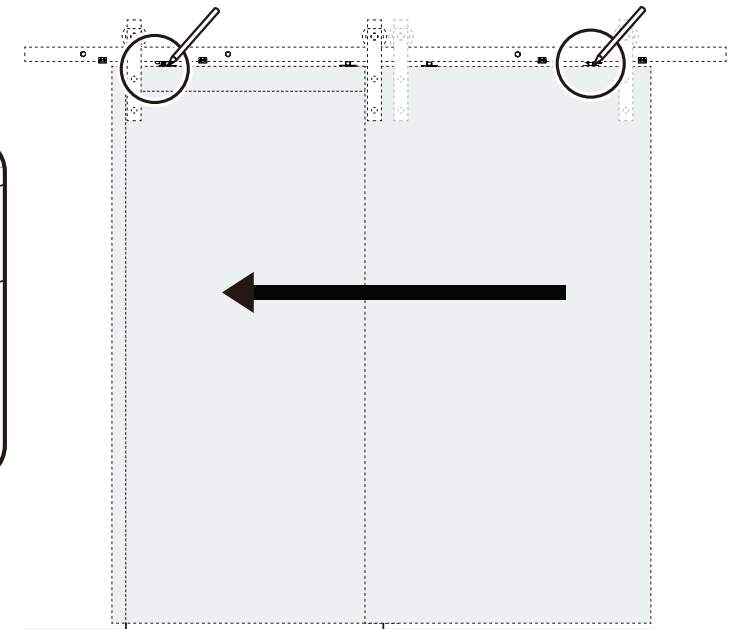
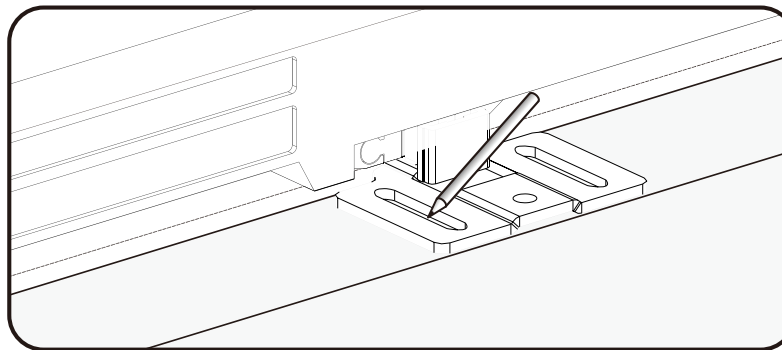
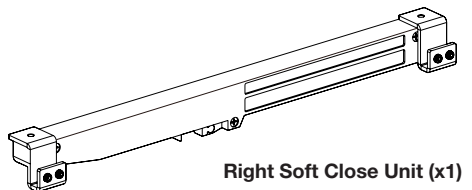
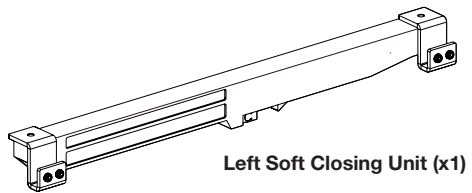
Step 02: Mount the Left Soft Closing Unit behind the barn door track, between the last and 2nd last spacer on the left hand side. Ensure that the angled lever is facing right.



Materials

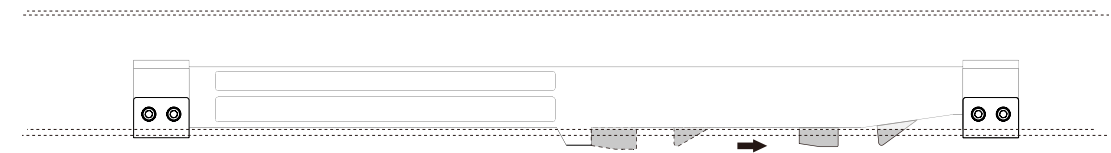


Step 03: Push the door to the far left and mark the door where at the point of the catch grip. Repeat Steps 01, 02 & 03 with the right soft close unit.

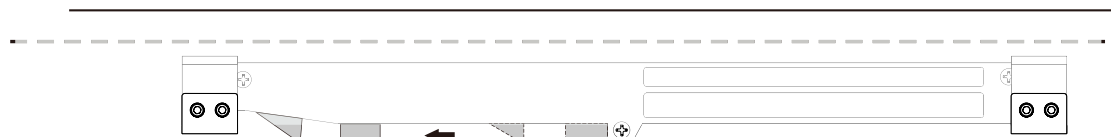


The angled levers should be facing these directions.

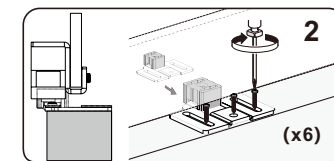
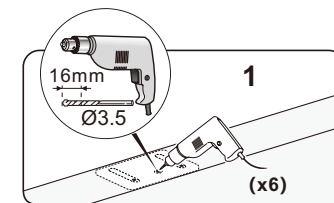
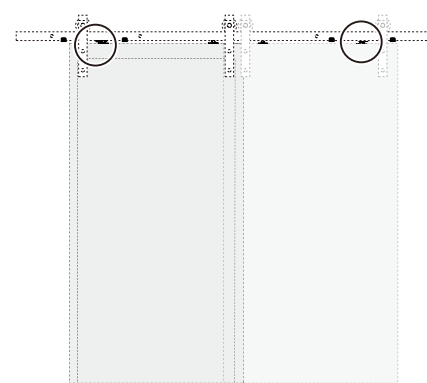
Left Side of Soft Door Closing Unit



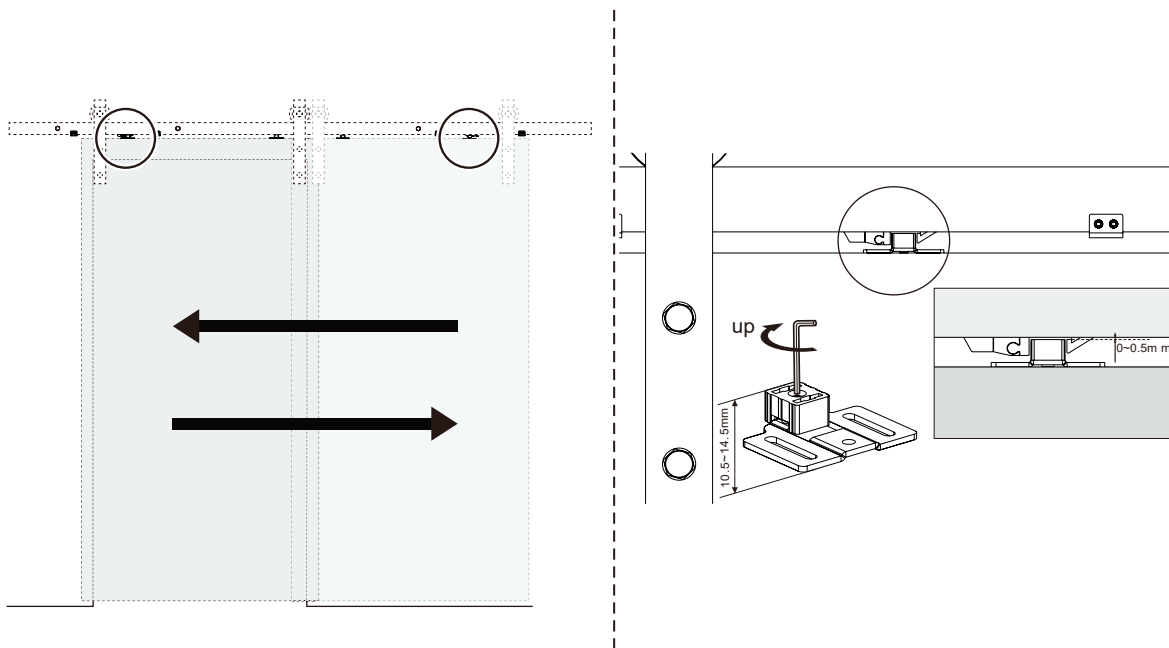
Right Side of Soft Door Closing Unit



Step 04. Take door off of the track and mount the actuator to the top of the door, centre the actuator using the marks on the door using the marks made in Step 03.



Step 05. Put door back on the track and adjust the actuator using the hex key provided until it sits 0-0.5mm from the barn door rail.



Step 06. and make sure the soft closing is working by opening and closing the door. The door should slow down to a controlled stop.

