

Company  Email  Date

Attention  From  Order Number

### Roller Confirmation Sheet

#### Roller Specification

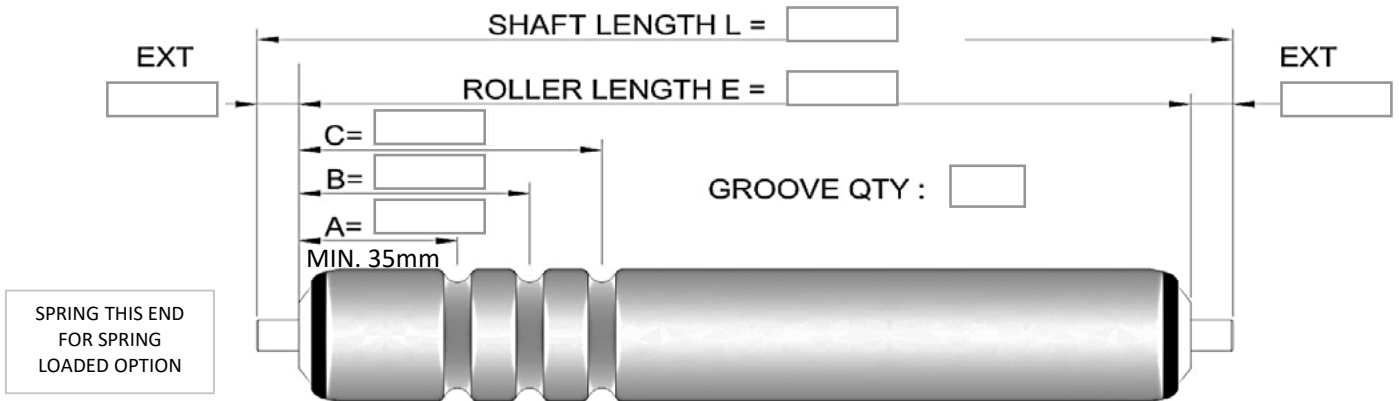
Roller Series  Series

Tube Diameter  mm Wall Thickness  mm

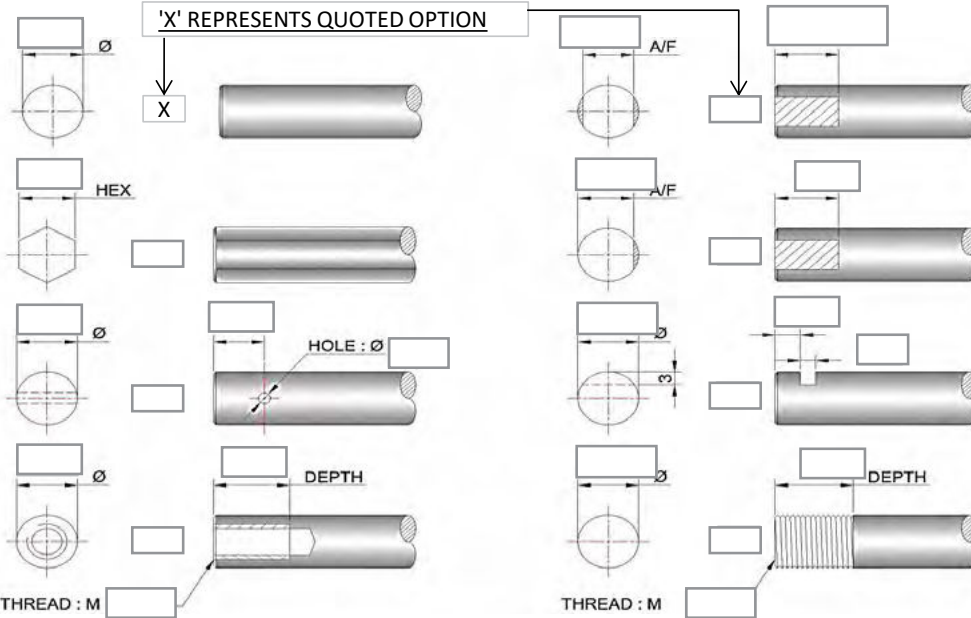
#### Tube Specification

M/S Galvanised  M/S Zinc Plated  M/S Black

Stainless Steel  PVC Other



### Shaft Confirmation



#### Shaft Material

Mild Steel  Zinc Plated

Stainless

Other (please specify)

#### Shaft Fixing

Spring Loaded  Fixed

Loose  No Shaft

#### Bearing Detail

Precision  Semi Precision

M/S or S/S

Quantity:  Quoted Price (Ex. GST):  Total:

General Notes: .....

Signed ..... Name ..... Date .....

Note: manufacture of rollers will not commence until a signed copy is returned

Please sign and fax or email back for your approval