

Electric Lock to Suit Swing Gate Kits GTR181

Suits the Following Richmond Gate Motors: GTR058, GTR062, GTR078, GTR099

All new design with a low force, hinged catch mechanism. Perfect for gates in windy areas.
This lock is designed to secure your gate firmly in place, even during power loss.

**Warning: Extreme wind conditions (storms etc.) may still cause this lock to bind temporarily.
A magnetic lock is recommended if extreme winds or overly large gates are used.
A ground stopper should also be fitted when used on a double swing gate.**



Important Information:

1. Before you install the Electric Lock please be sure the gate is level, moves freely, and does not bind or block against barriers
2. For the Electric Lock to work correctly, the gate must close firmly engaging the lock catch against the lock receiver.
3. The Electric Lock must be installed on the outside of the gate if the gate is **Push-to-Open**.
4. Due to the various mounting conditions, mounting hardware is not provided. Read this manual carefully to determine the mounting hardware required for your condition.
5. For dual gate, the lock must be installed on the Master Gate (gate 1) which is near the Control Box, and the lock receiver must be installed on the Slave Gate (gate 2).

(If the gate near the control box has been set up as slave gate, you can change the settings following User's Manual for your gate automation kit).

6. For a single gate, the lock operates best when the gate has a firm stopper or post to close against. This reduces the impact damage to the lock.
7. For a dual gate, we recommend a **ground stopper** be fitted so that (at minimum) the receiver gate closes firmly with no movement. This gives the electric lock a stable contact area.
8. Avoid using self-tapping fasteners as they are prone to loosening with vibration.

Installation for Single Swing Gate

Step 1: Disengage the clutch of the swing arm with the Manual Release Key. Make sure you can move the gate by hand, so the gate can swing freely during installation of the Electric Lock.

Step 2: With the gate in the closed position, determine the best location for the lock and receiver. The lock and receiver must be level and aligned with the opener. The lock and receiver should have a solid surface or tube fence to provide stability

Step 3: For a **Metallic Tube gate**, steel tube with a wall thickness of 3mm or more can be threaded to allow the lock and receiver to be fastened using only bolts (without nuts).

Otherwise, drill holes through the fence post and fasten the lock and receiver with bolts, lock washers and nuts. Of course you could also weld them directly.

For a **Chain Link gate**, you will need U Bolts, saddles, lock washers and nuts for the lock and receiver.

Step 4: Recheck the locks position and alignment, make sure the electric lock is working correctly.

Step 5: Connect the power cables for the lock to the control board of swing gate opener and Lock plus board. (See wiring diagrams included).

Note: Be sure that the clutch of the swing arm is engaged before you prepare to activate your opener (Use the Manual Release Key)

Figure A

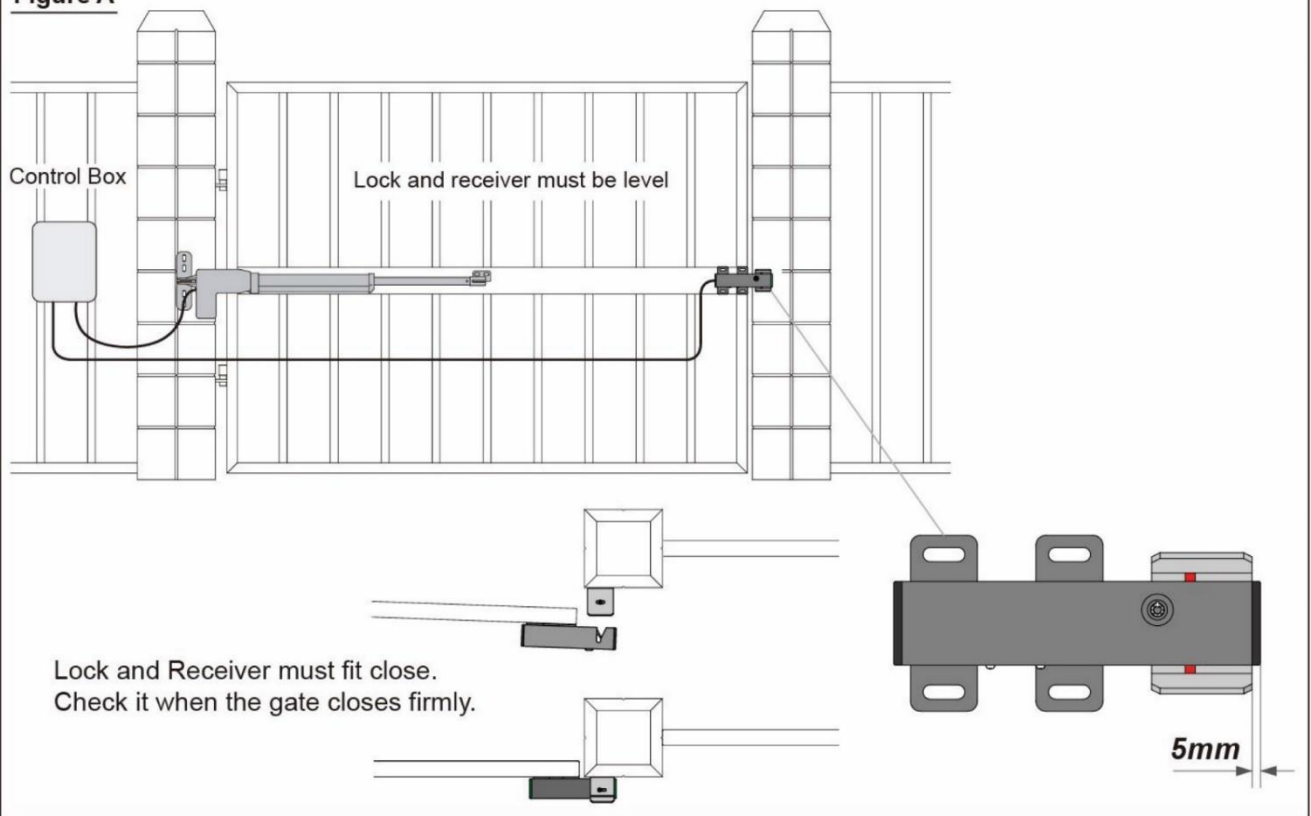
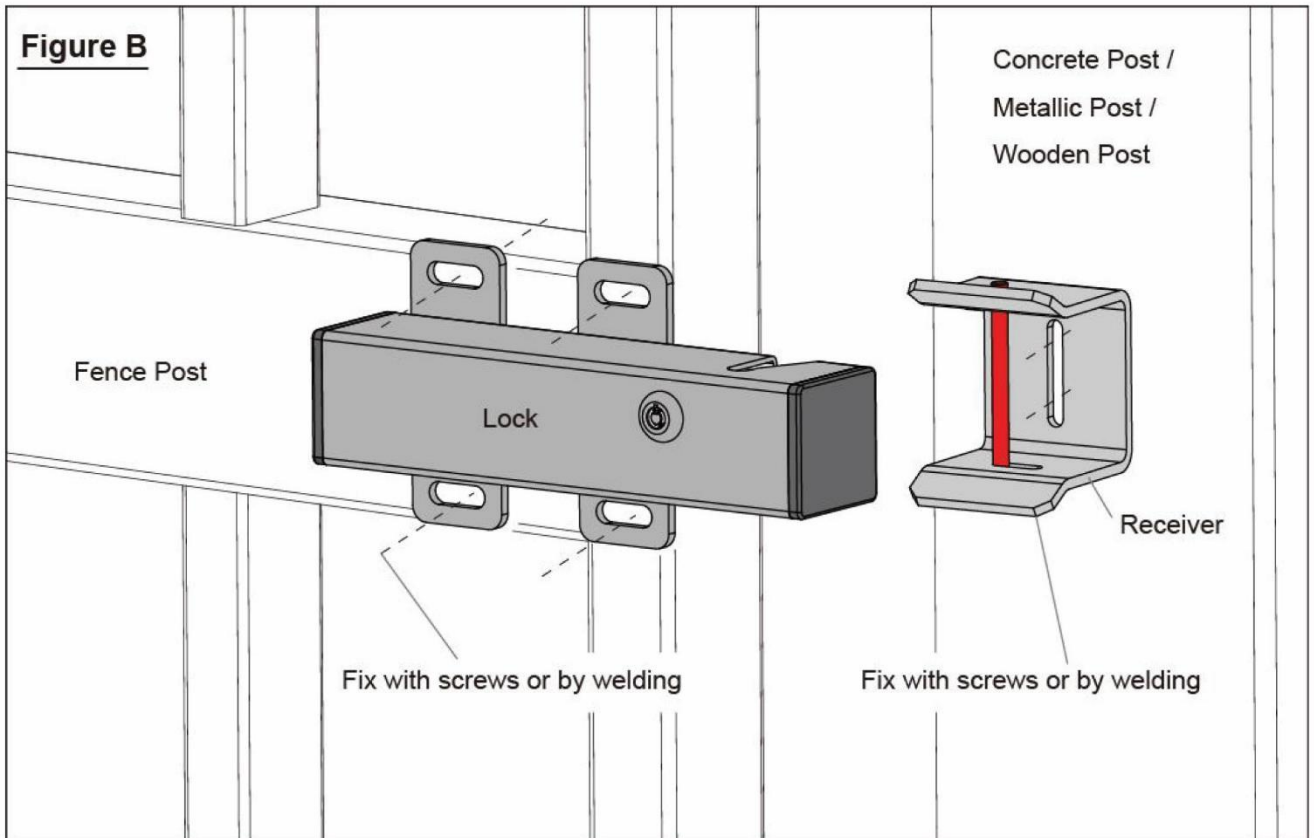


Figure B



Installation for Double Swing Gate

We recommend a ground stopper be fitted when installing any lock on a double swing gate.

Step 1: Disengage the clutch of the swing arms with the Manual Release Key. You can move the gate by hand, so the gate can swing freely during installation of the Electric Lock.

Step 2: With the gates in the closed position, determine the best location for the lock and receiver . The lock and receiver must be level and aligned with the swing arms. The lock and receiver should have a solid surface or tube fence to provide stability.

Step 3: For a **Metallic Tube gate**, steel tube with a wall thickness of 3mm or more can be threaded to allow the lock and receiver to be fastened using only bolts (without nuts).

Otherwise, drill holes through the fence post and fasten the lock and receiver with bolts, lock washers and nuts. Of course you could also weld them directly.

For a **Chain Link gate**, you will need U Bolts, saddles, lock washers and nuts for the lock and receiver.

Step 4: Recheck the locks position and alignment, make sure the electric lock is working correctly.

Step 5: Connect the power cables for the lock to the control board of swing gate opener and Lock plus board. (See Figure E and F).

Note: Be sure that the clutch of the swing arms is engaged before you prepare to activate your opener (Use the Manual Release Key)

Figure C

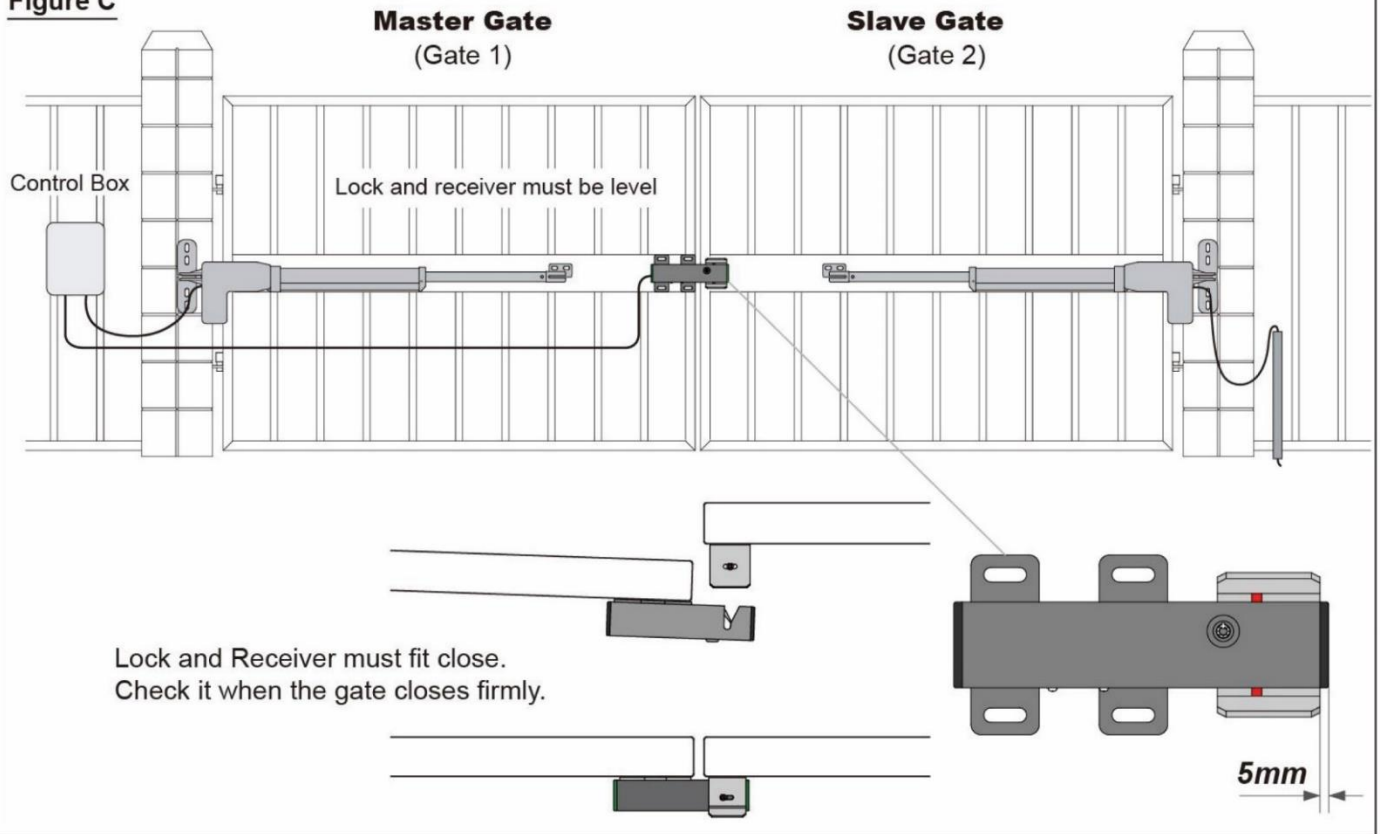
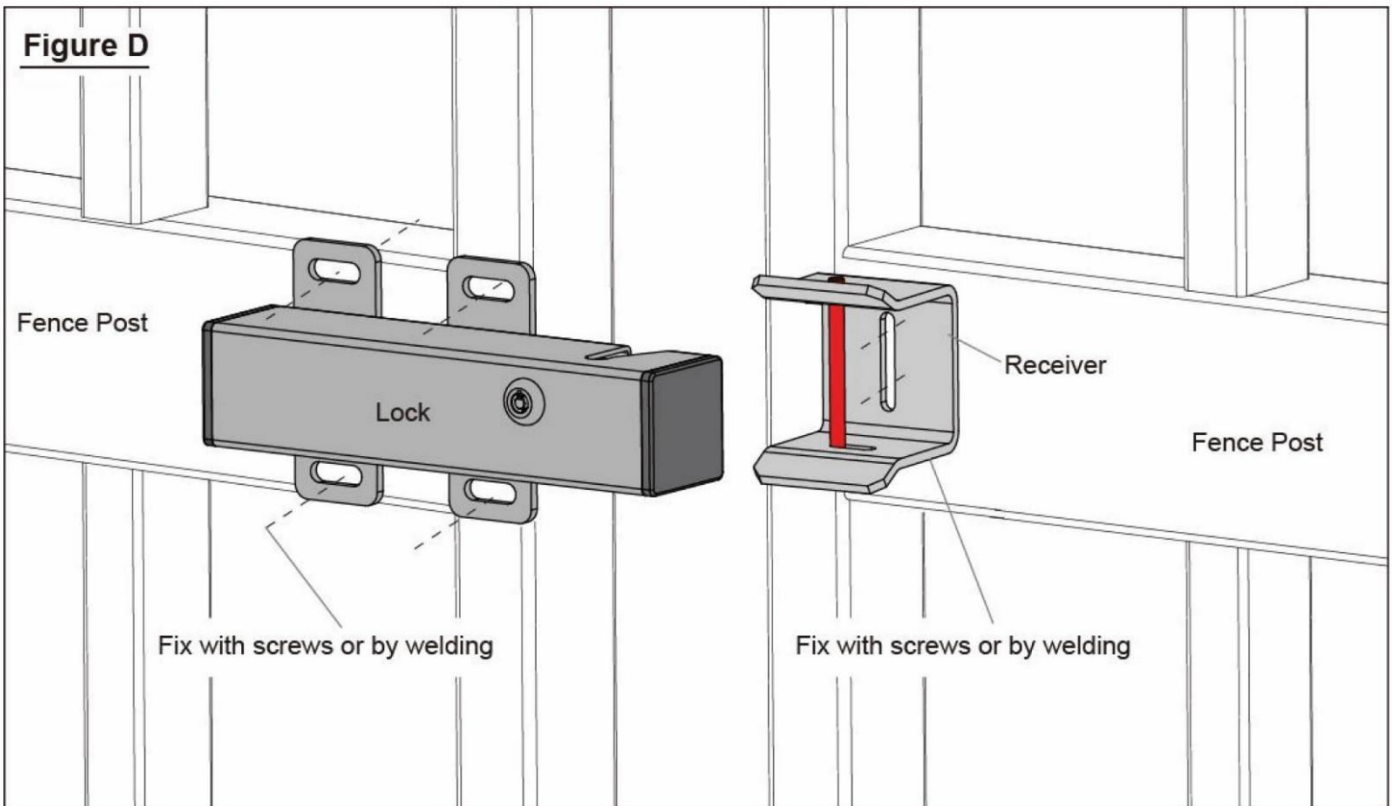
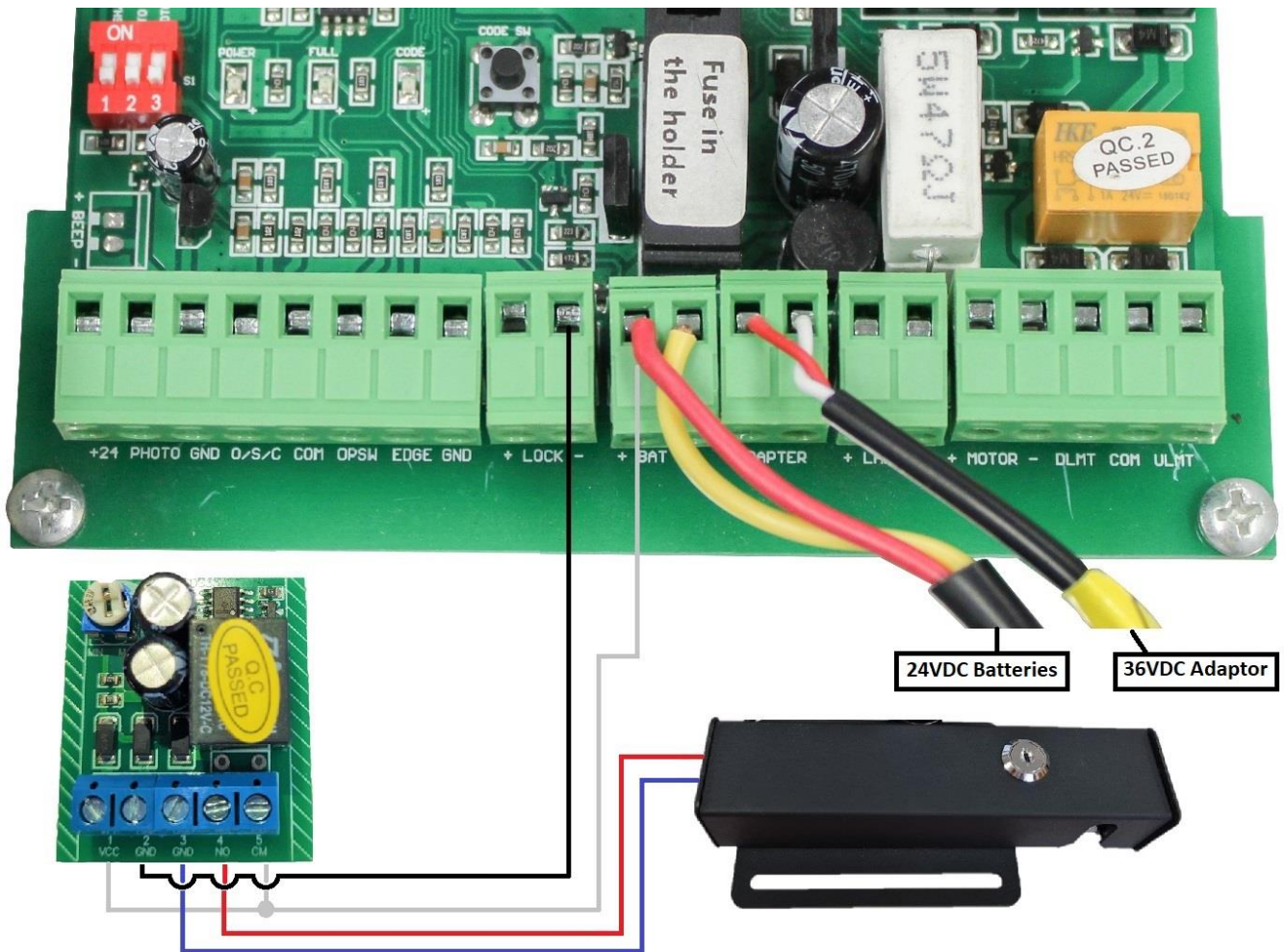


Figure D



Connecting the Lock to the GTR099 Automatic Gate Kit

The E-PLUS board and electric lock should be connected to the control board using the following wiring diagram.

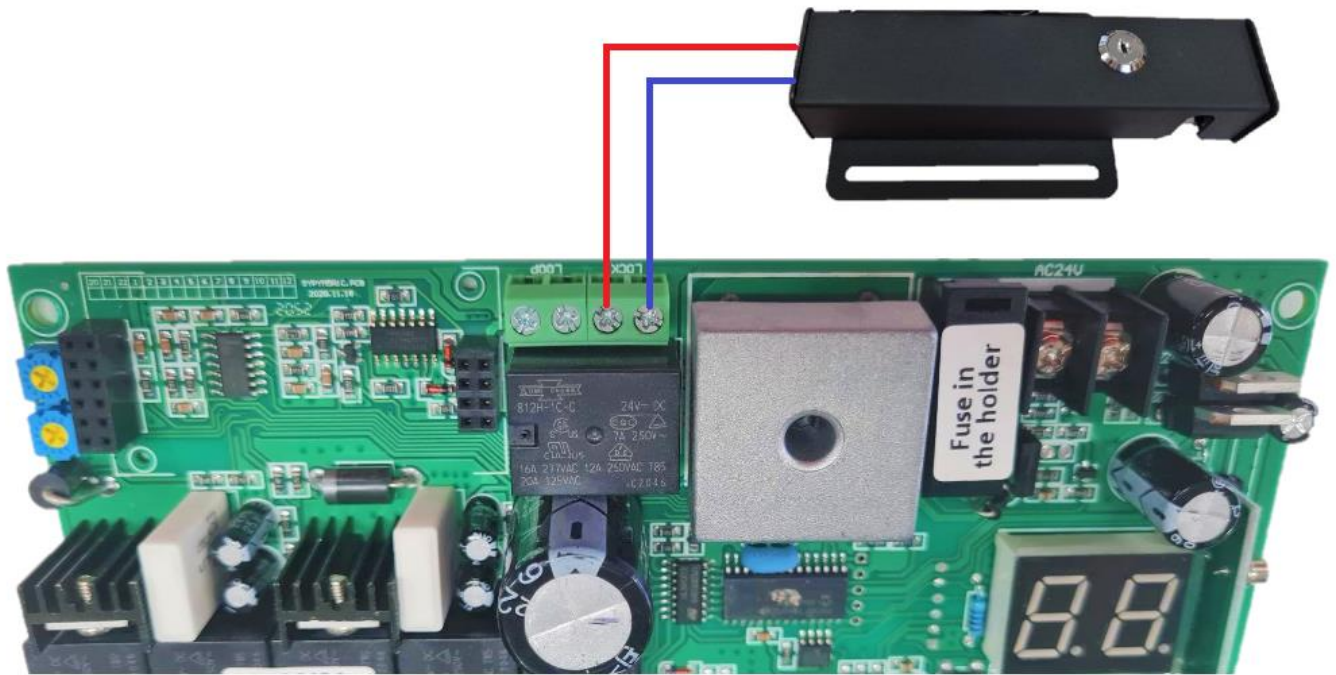


E-PLUS wiring instructions

E-PLUS terminal	GTR099 terminal	GTR169 wire
1 - VCC	Bat +	
2 - GND	Lock -	
3 - GND		Red lock wire
4 - NO		Blue lock wire
5 - CM	Bat +	

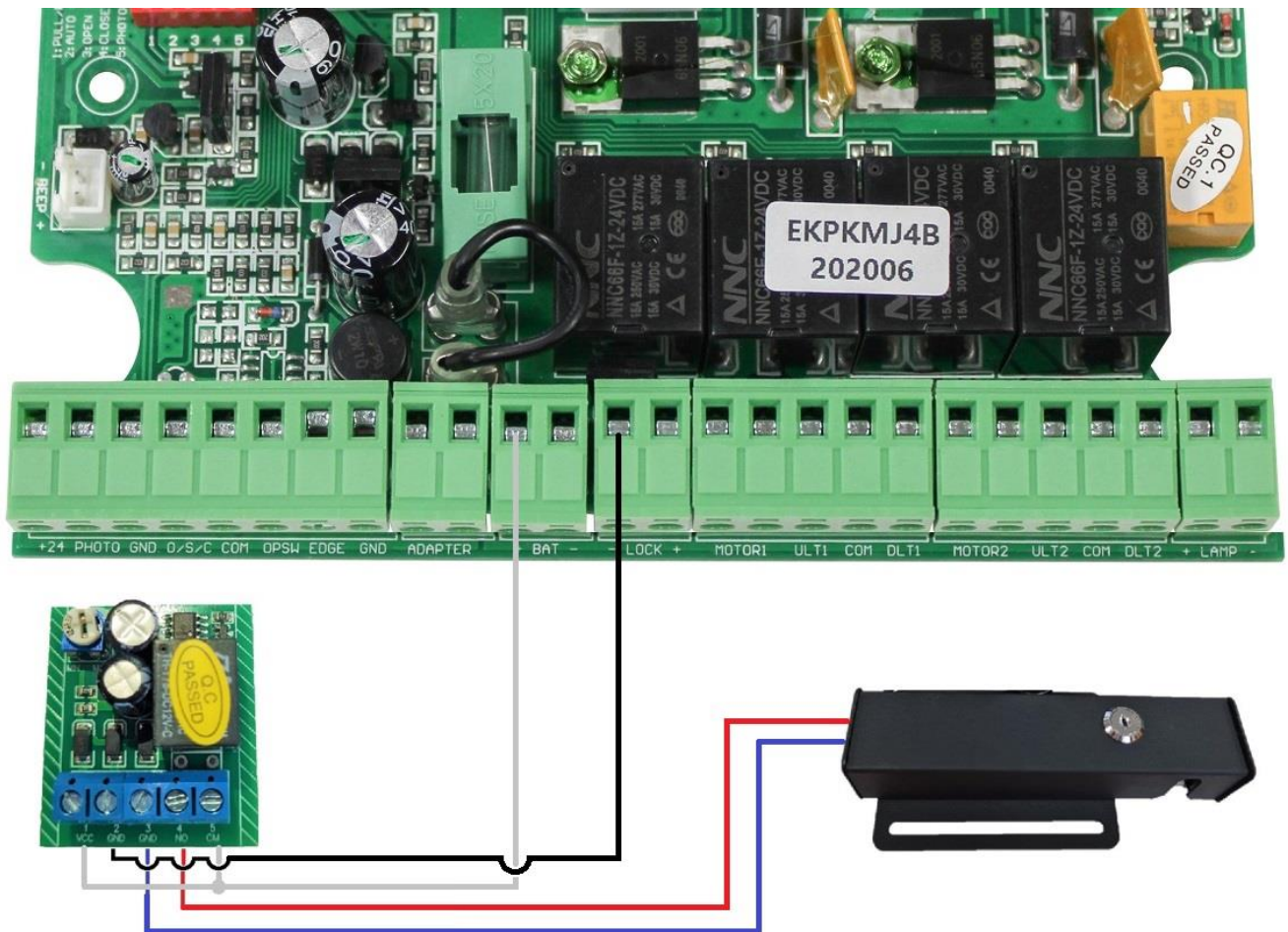
Connecting the Lock to the GTR058 and GTR100 Automatic Gate Kits

The E-PLUS board is not required for the GTR058 swing system.



Connecting the Lock to the GTR062/078 Automatic Gate Kit

The E-PLUS board and electric lock should be connected to the control board using the following wiring diagram.



E-PLUS wiring instructions

E-PLUS terminal	GTR062/078 terminal	GTR169 wire
1 - VCC	Bat +	
2 - GND	Lock -	
3 - GND		Red lock wire
4 - NO		Blue lock wire
5 - CM	Bat +	