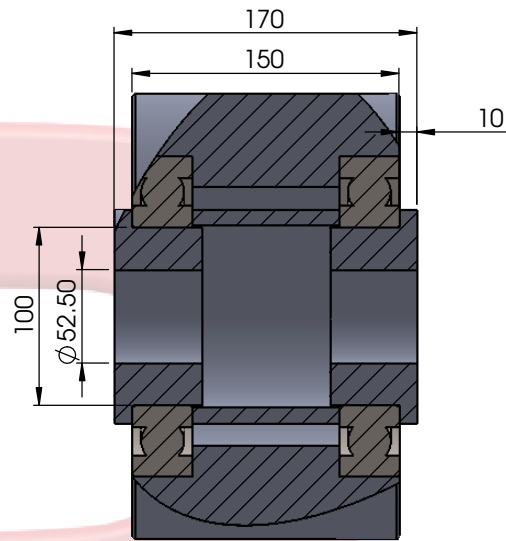
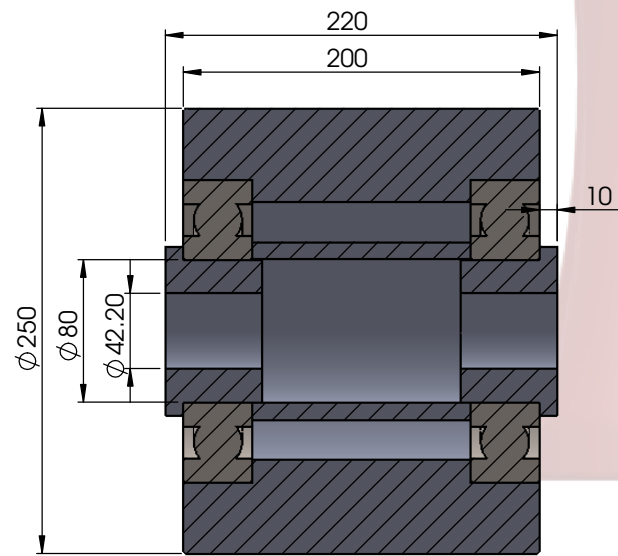


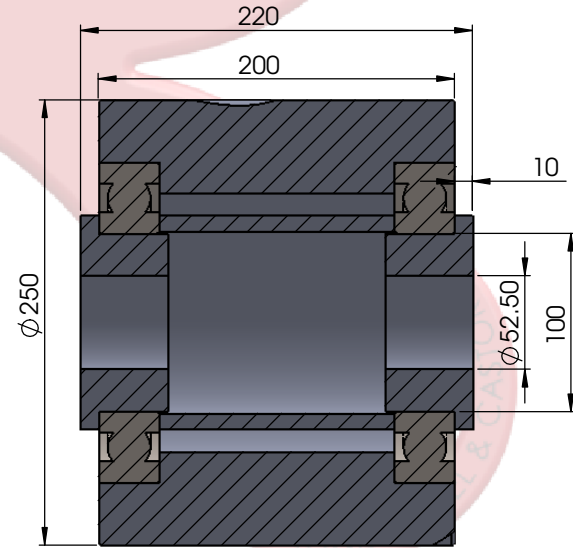
ST125X125 (80MM BB)



ST250X150 (100MM BB)



ST250X200 (80MM BB)



ST250X200 (100MM BB)

**CUSTOMER APPROVAL:**

COMPANY:
SALES PERSON:
NAME:
SIGN:
DATE:

DO NOT SCALE DRAWING	REVISION	FINISH:
----------------------	----------	---------

**PROPRIETARY AND CONFIDENTIAL**  
 THE INFORMATION CONTAINED IN THIS DRAWING IS THE SOLE PROPERTY OF Richmond Wheel & Castor Co. ANY REPRODUCTION IN PART OR AS A WHOLE WITHOUT THE WRITTEN PERMISSION OF Richmond Wheel & Castor Co. IS PROHIBITED.

	NAME	SIGNATURE	DATE
DRAWN	BREON	BWM	10/10/2019
CHKD	SY	SY	10/10/2019
APPVD	RAY	RW	10/10/2019
MFG	SY	SY	10/10/2019
Q.A	BARRY	BN	10/10/2019

UNLESS OTHERWISE SPECIFIED:  
 DIMENSIONS ARE IN MILLIMETERS  
 TOLERANCES TO 0.25MM

DEBUR AND  
 BREAK SHARP  
 EDGES



TITLE:  
**RICHMOND WHEEL &  
 CASTOR CO.**

DWG. NO. **SOLID STEEL WHEELS 250MM** A3

WEIGHT:

SHEET 1 OF 1