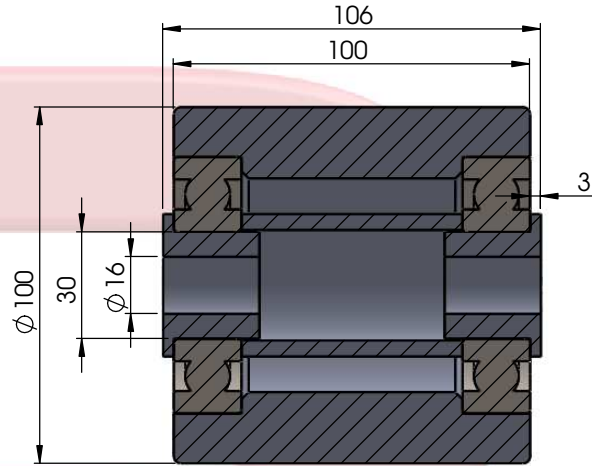
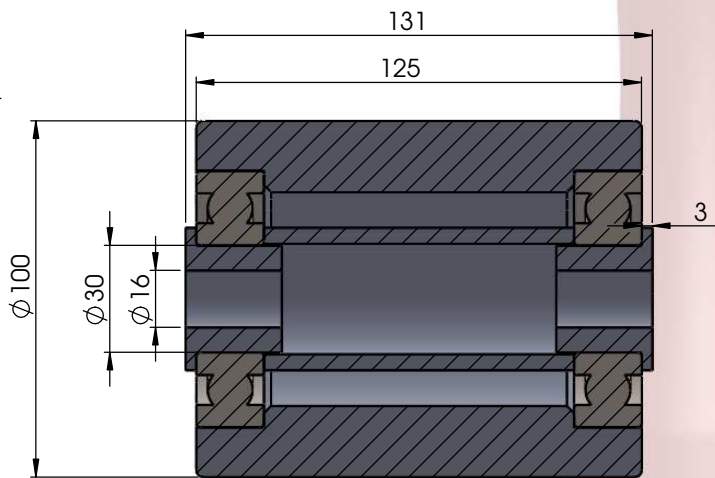


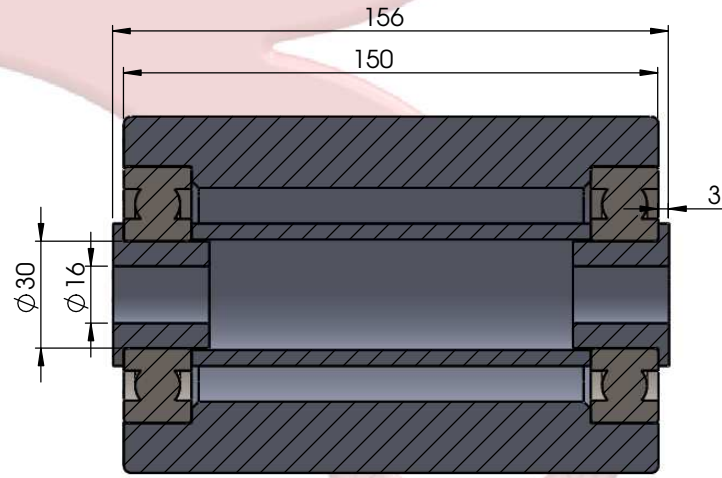
ST100X75



ST100X100



ST100X125



ST100X150

CUSTOMER APPROVAL:

COMPANY:		
SALES PERSON:		
NAME:		
SIGN:		
DATE:		
DO NOT SCALE DRAWING	REVISION	FINISH:

PROPRIETARY AND CONFIDENTIAL
 THE INFORMATION CONTAINED IN THIS DRAWING IS THE SOLE PROPERTY OF Richmond Wheel & Castor Co. ANY REPRODUCTION IN PART OR AS A WHOLE WITHOUT THE WRITTEN PERMISSION OF Richmond Wheel & Castor Co. IS PROHIBITED.

	NAME	SIGNATURE	DATE
DRAWN	BREON	BWM	9/10/2019
CHKD	SY	SY	9/10/2019
APPVD	RAY	RW	9/10/2019
MFG	SY	SY	9/10/2019
Q.A	BARRY	BN	9/10/2019
UNLESS OTHERWISE SPECIFIED: DIMENSIONS ARE IN MILLIMETERS TOLERANCES TO 0.25MM		DEBUR AND BREAK SHARP EDGES	



TITLE:
RICHMOND WHEEL & CASTOR CO.

DWG NO. **SOLID STEEL WHEELS 100MM** A3

WEIGHT:

SHEET 1 OF 1