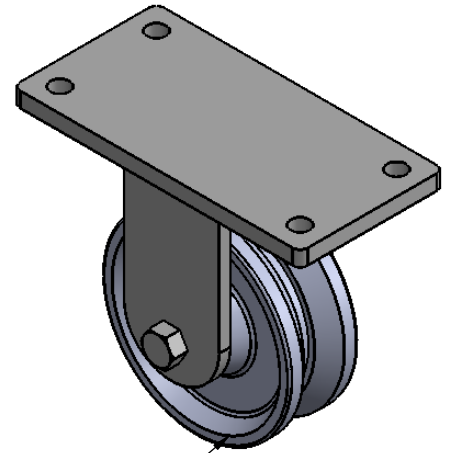
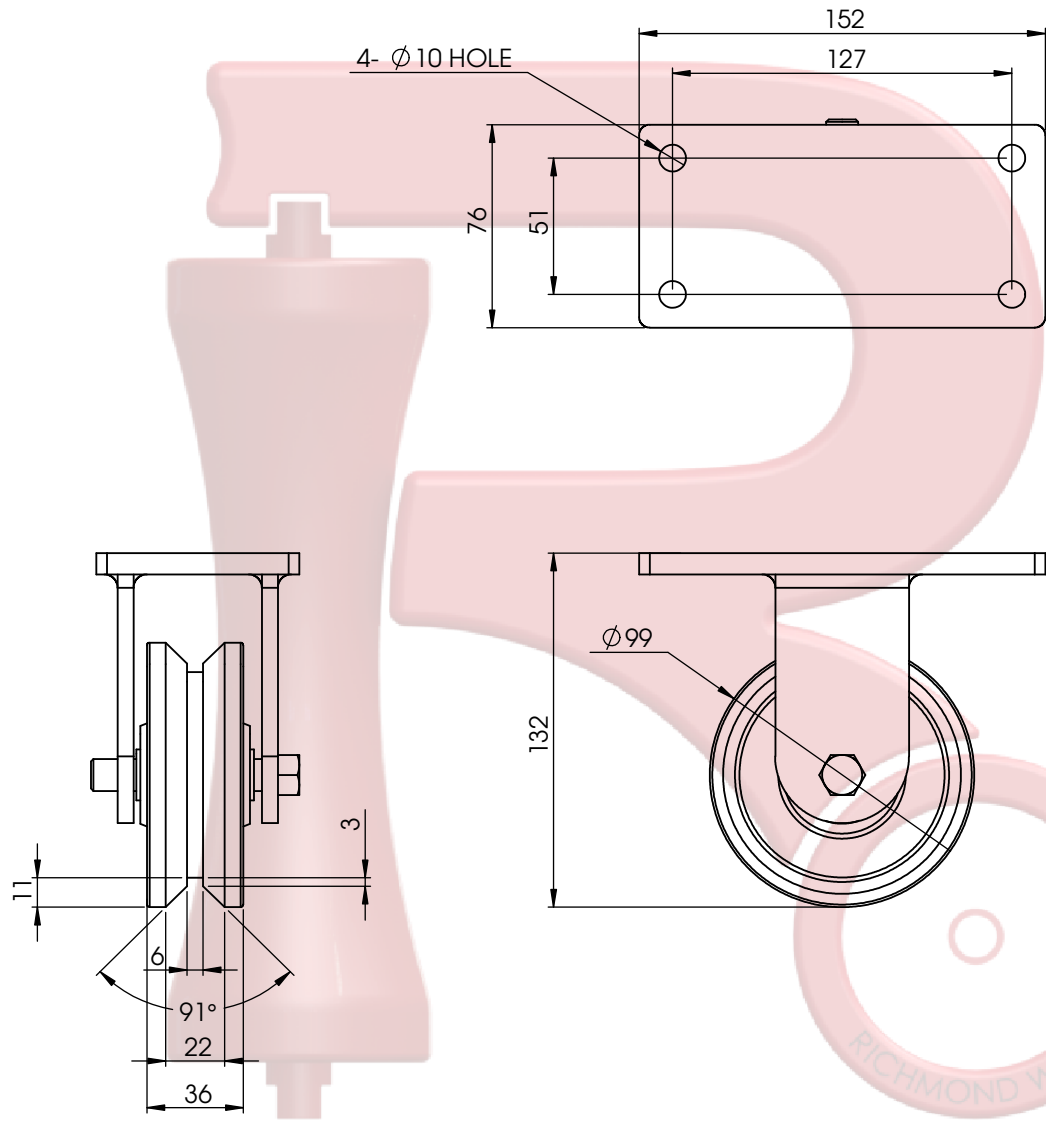


WEIGHT: kg



VG459 Ci

LOAD CAP: 280kg

CUSTOMER APPROVAL:

COMPANY:

SALES PERSON:

NAME:

SIGN:

DATE:

MATERIAL: THICKNESS: mm

DO NOT SCALE DRAWING REVISION: B FINISH:

PROPRIETARY AND CONFIDENTIAL
 THE INFORMATION CONTAINED IN THIS DRAWING IS THE SOLE PROPERTY OF Richmond Wheel & Castor Co. ANY REPRODUCTION IN PART OR AS A WHOLE WITHOUT THE WRITTEN PERMISSION OF Richmond Wheel & Castor Co. IS PROHIBITED.

	NAME	SIGNATURE	DATE
DRAWN	DAVID	DP	02/11/16
CHK'D	BRECON	BWM	02/11/16
APP'VD	SY	SY	02/11/16
MFG	TOM	TM	02/11/16
Q.A	DAVID	DP	02/11/16

UNLESS OTHERWISE SPECIFIED: DIMENSIONS ARE IN MILLIMETERS TOLERANCES TO 0.25MM

DEBUR AND BREAK SHARP EDGES



TITLE: **RICHMOND WHEEL & CASTOR CO.**

DWG NO. **076HDWR466VG** A3

FILE LOCATION: T:\STANDARD PRODUCTS\076\