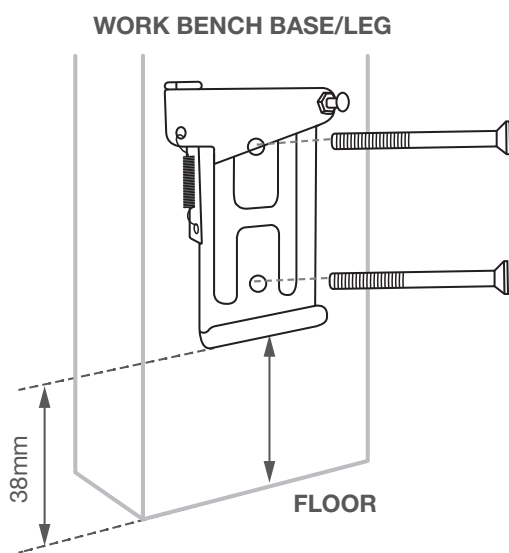


## Quick-Release Workbench Castor Set Instructions:

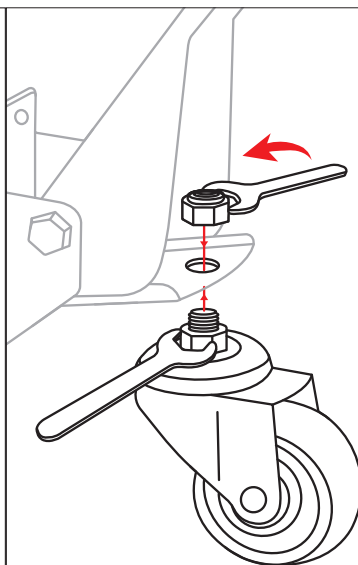
The quick-release castor mounting plates included with this kit allow you to remove the castors from your bench when not in use. Once the quick-release plates are mounted to your workbench, simply lift the spring-loaded latch to slide your castor plates into place. To operate, press down on the foot pedal of each castor to elevate your workbench, and move to your desired location. To disable movement, lift the foot pedal to lower the workbench firmly back onto the floor, and lift the spring-loaded latch again to remove your castors. Each 75mm (3") polyurethane castor can support up to 100kg (400kgs combined set capacity). Each swivel castor can pivot 360° once raised. All required mounting hardware is included.

- Suitable for workbenches up to 400kg
- 4 quick-release mounting plates included
- 4 free-swivelling 75mm (3") diameter polyurethane castors
- Simple to operate
- Wrenches, M6x75mm countersunk bolts, nuts and washers included



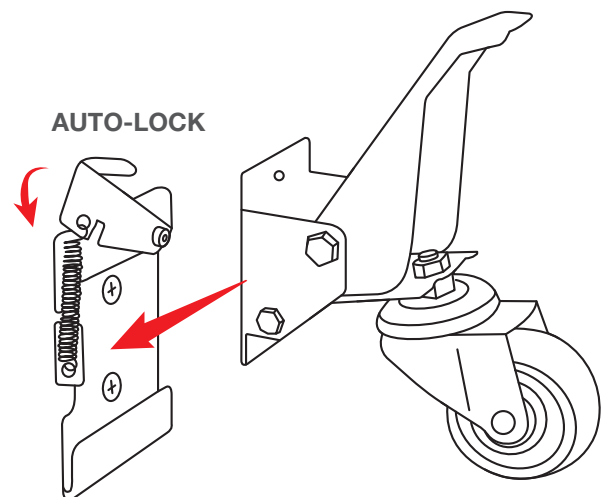
### STEP 01

Mount the quick-release mounting plate to your workbench using the M6x75mm countersunk bolts, nuts and washers provided.



### STEP 02

Attach the castors by placing the castor bolt through the hole in the plate, and threading on the M12 nut by hand. Tighten using the wrenches provided.



### STEP 03

Slide the completed workbench castor assembly into the quick-release mounting plate. The auto-locking spring will secure the castor in place.