



Reflective Photocell Installation Instructions GTR208

This accessory suits the following Richmond gate motors:
GTR064, GTR156, GTR207, GTR099, and GTR058

Kit Includes:

- 1x Photocell emitter with 2m (5 core) cable
- 1x Mounting bracket
- 1x Photocell reflector (mirror)
- 2x Bolt, washer, and nut



Infrared reflective photocells offer an added safety feature that prevents gates from closing on and impacting vehicles/pedestrians during operation.

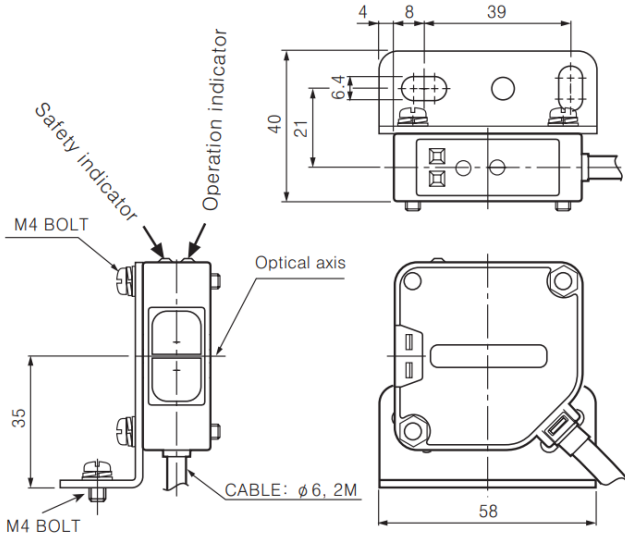
How it Works:

The single emitter sends a photobeam across your driveway entrance (up to a 7m distance). The reflector will then bounce the beam back to the emitter. If a vehicle or pedestrian breaks the beam the gate will stop and fully open.

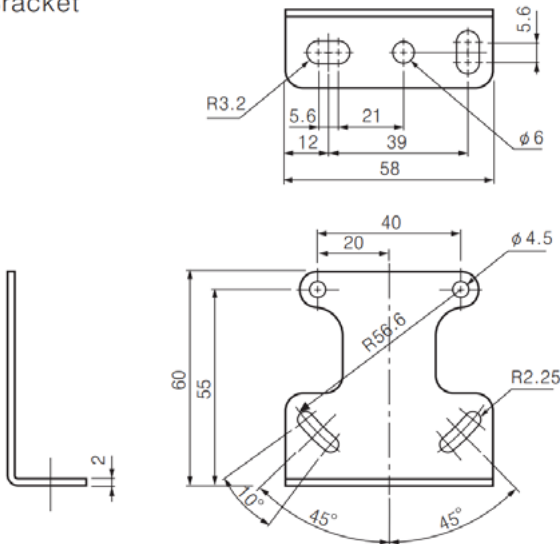
* Max range may be reduced in bad weather conditions.

Product Dimensions & Specs

● Mounting a bracket



● Bracket



The **GTR208** cable is **2m long** and has **5 cores**



4 of the 5 cores are used, this is a universal safety beam to suit all RWC gate openers.

Brown (BN): DC12-24V +



Blue (BU): DC12-24V -



Black (BK): N.O (Normally Open)
Not used for Richmond Gate Openers



White (WH): COM (Common)

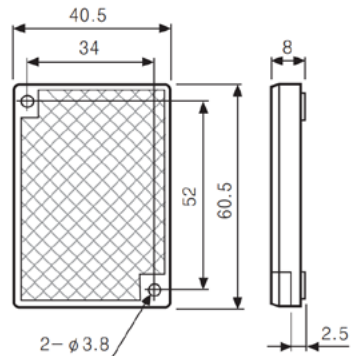


Grey (GY): N.C (Normally Closed)



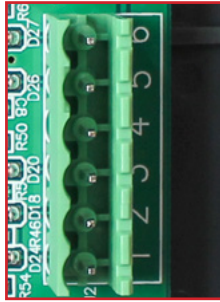
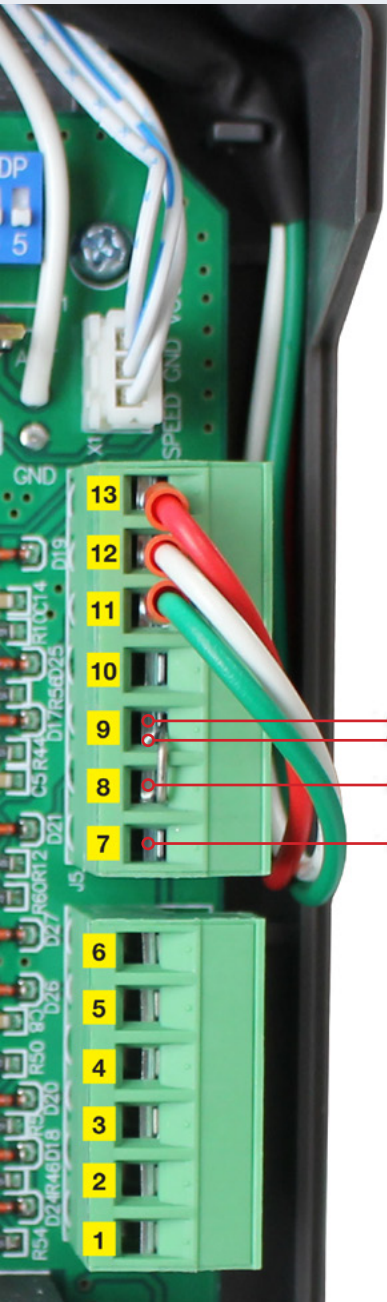
● Mirror (MS-2)

<MS-2 >



How to connect to the GTR156 control board:

The below diagram shows how to connect the wires from the **GTR208** reflective photocell to the **GTR156 Automatic Sliding Gate Opener**.



All of the numbers in this diagram can be found on the control board of the gate opener.



GTR208 Reflective Photocell Emitter

White

Blue

Grey

Brown

Black
NOT IN USE
please cover/
cap off

How to connect to the GTR064 & GTR207 control board:

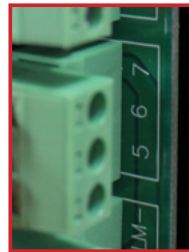
The below diagram shows how to connect the wires from the **GTR208** reflective photocell to the **GTR064 & GTR207 Automatic Sliding Gate Openers**.



GTR208
Reflective
Photocell
Emitter

The GTR064 and GTR207 boards are identical but will be facing different directions.

Please check carefully to ensure the wire colour and number match this diagram.



All of the numbers in this diagram can be found on the control board of the gate opener.

Brown

Grey

Blue

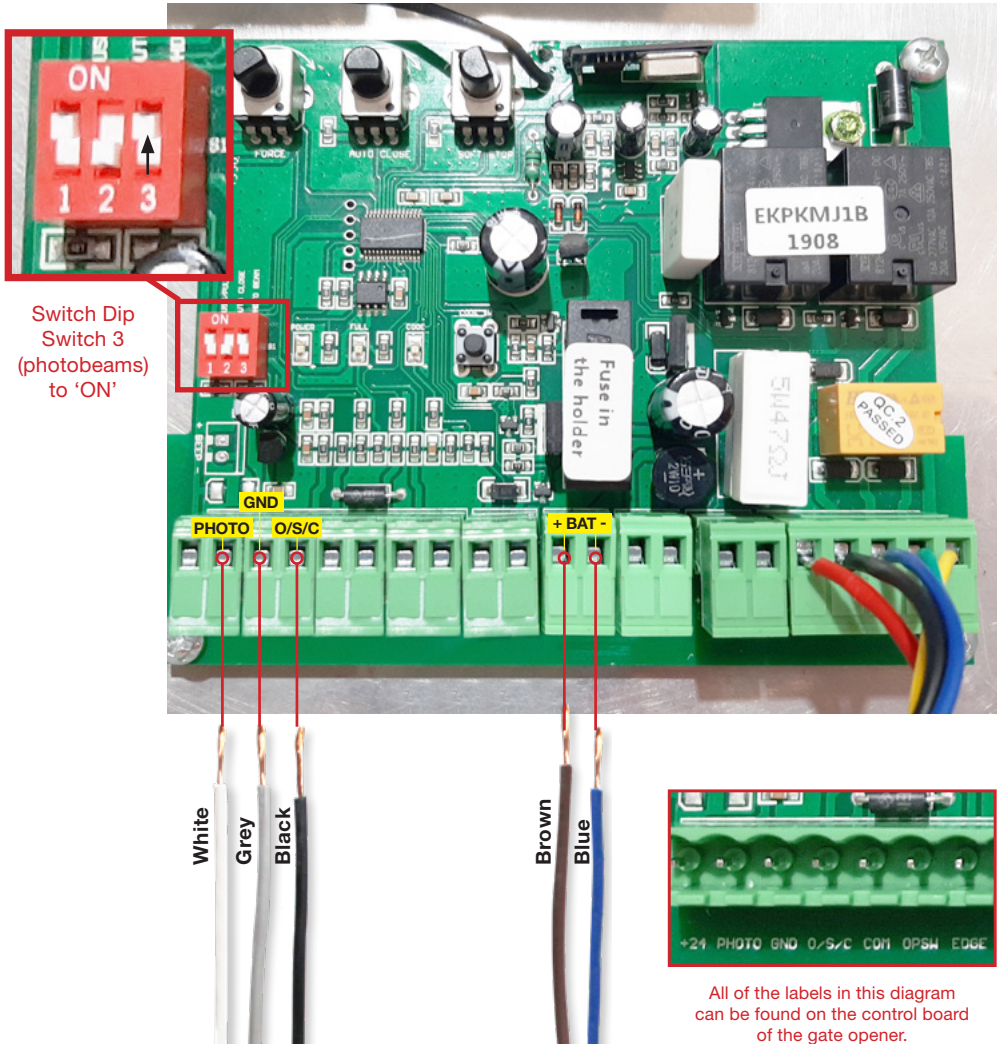
White

Black

NOT IN USE
please cover/
cap off

How to connect to the GTR099 control board:

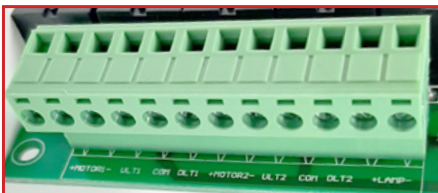
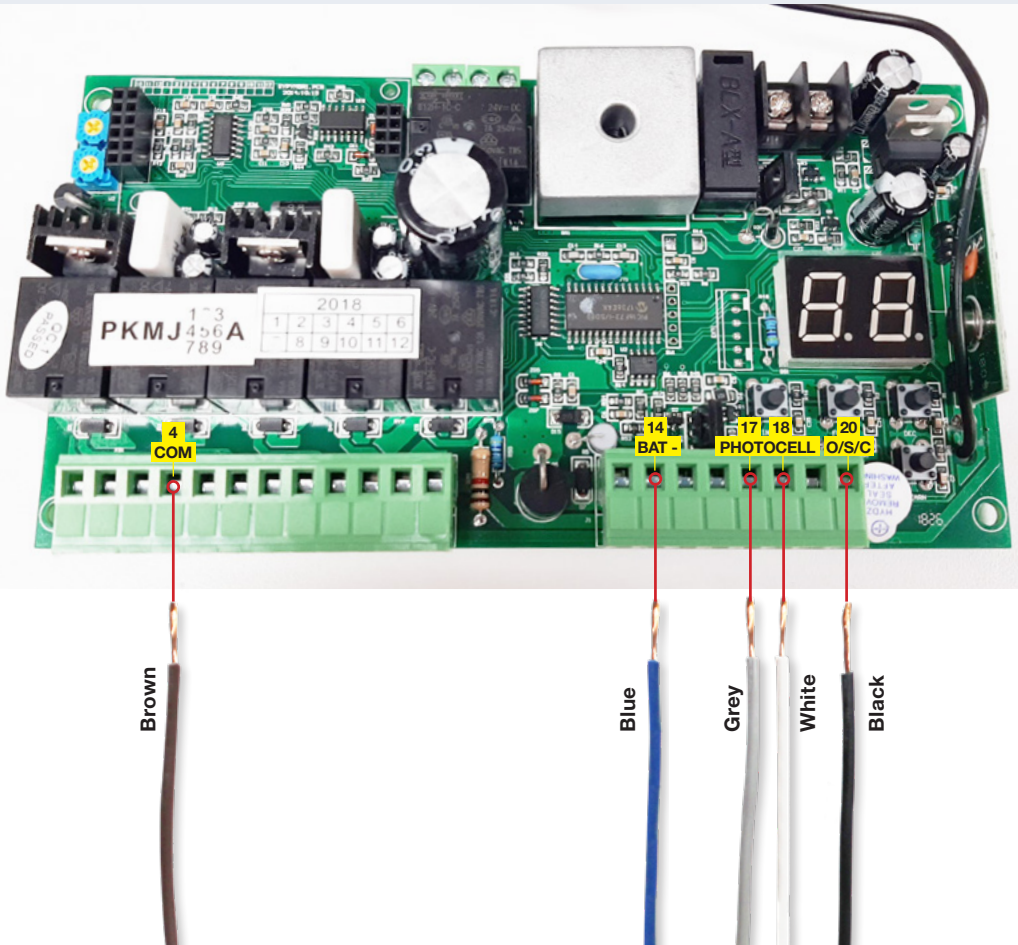
The below diagram shows how to connect the wires from the **GTR208** reflective photocell to the **GTR099 Single Swing Gate Opener**.



All of the labels in this diagram can be found on the control board of the gate opener.

How to connect to the GTR058 control board:

The below diagram shows how to connect the wires from the **GTR208** reflective photocell to the **GTR058 Double Swing Gate Opener**.



All of the labels in this diagram can be found on the control board of the gate opener.