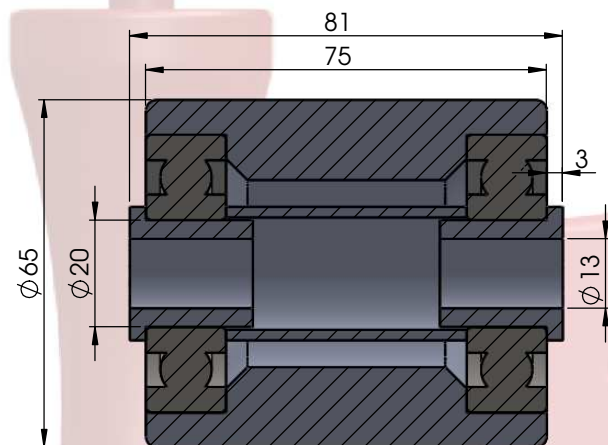
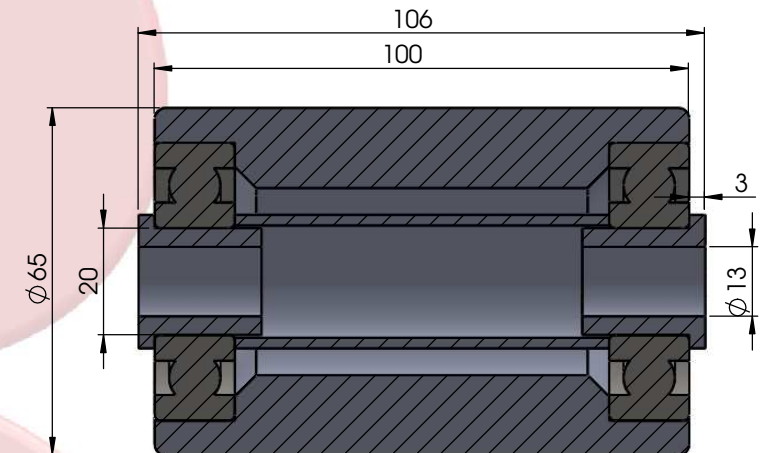


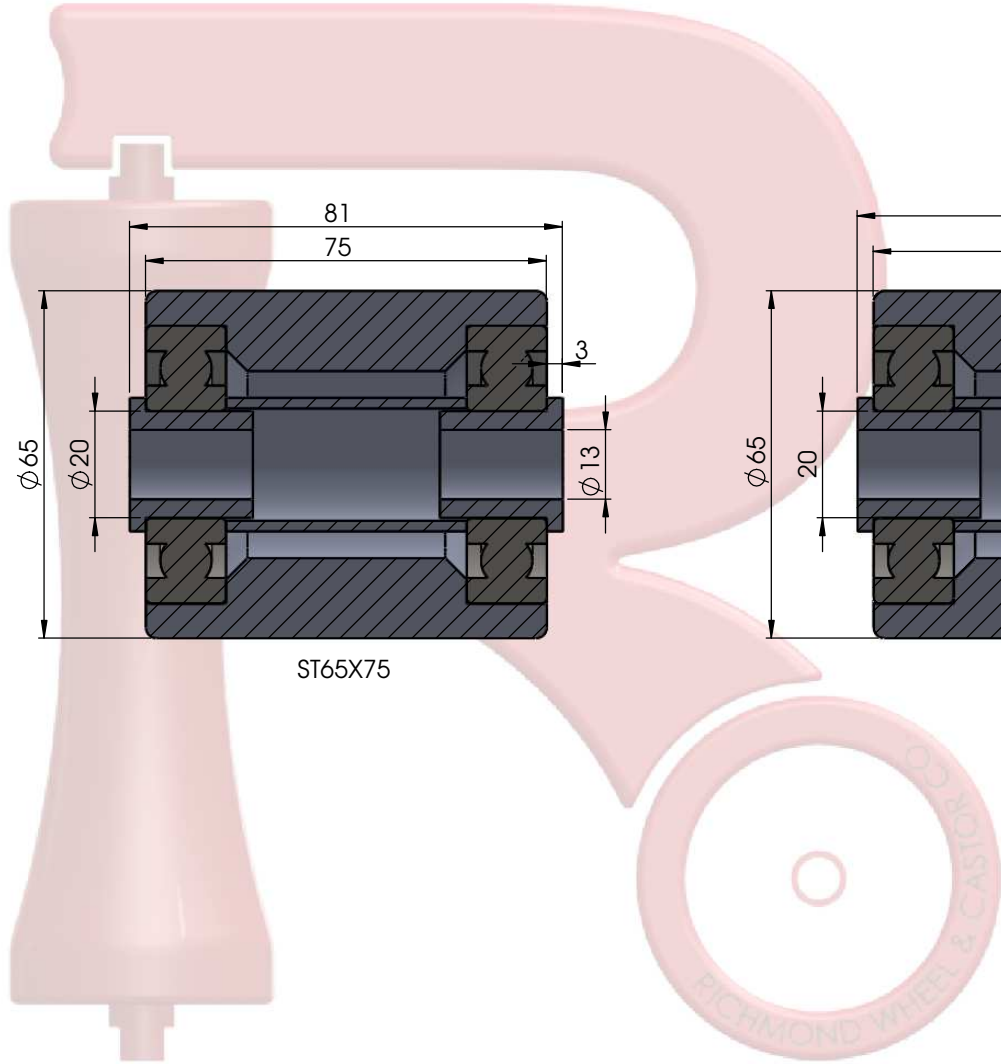
ST65X50



ST65X75



ST65X100



CUSTOMER APPROVAL:

COMPANY: _____

SALES PERSON: _____

NAME: _____

SIGN: _____

DATE: _____

DO NOT SCALE DRAWING REVISION FINISH:

PROPRIETARY AND CONFIDENTIAL
 THE INFORMATION CONTAINED IN THIS DRAWING IS THE SOLE PROPERTY OF Richmond Wheel & Castor Co. ANY REPRODUCTION IN PART OR AS A WHOLE WITHOUT THE WRITTEN PERMISSION OF Richmond Wheel & Castor Co. IS PROHIBITED.

	NAME	SIGNATURE	DATE
DRAWN	BREON	BWM	9/10/2019
CHK'D	SY	SY	9/10/2019
APP'VD	RAY	RW	9/10/2019
MFG	SY	SY	9/10/2019
Q.A	BARRY	BN	9/10/2019

UNLESS OTHERWISE SPECIFIED:
 DIMENSIONS ARE IN MILLIMETERS
 TOLERANCES TO 0.25MM

DEBUR AND BREAK SHARP EDGES



TITLE:
RICHMOND WHEEL & CASTOR CO.

DWG. NO. **SOLID STEEL WHEELS 65MM** A3