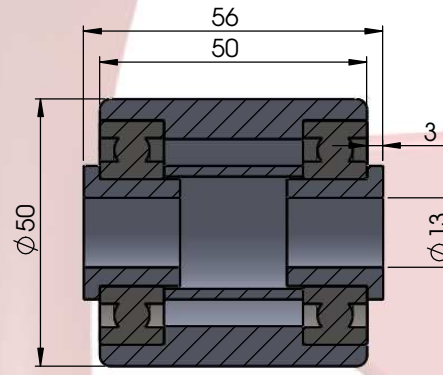
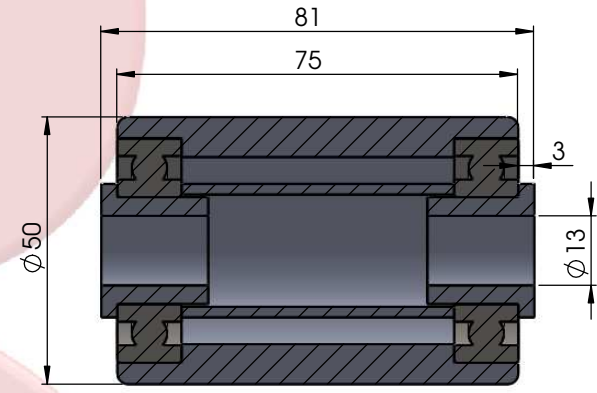


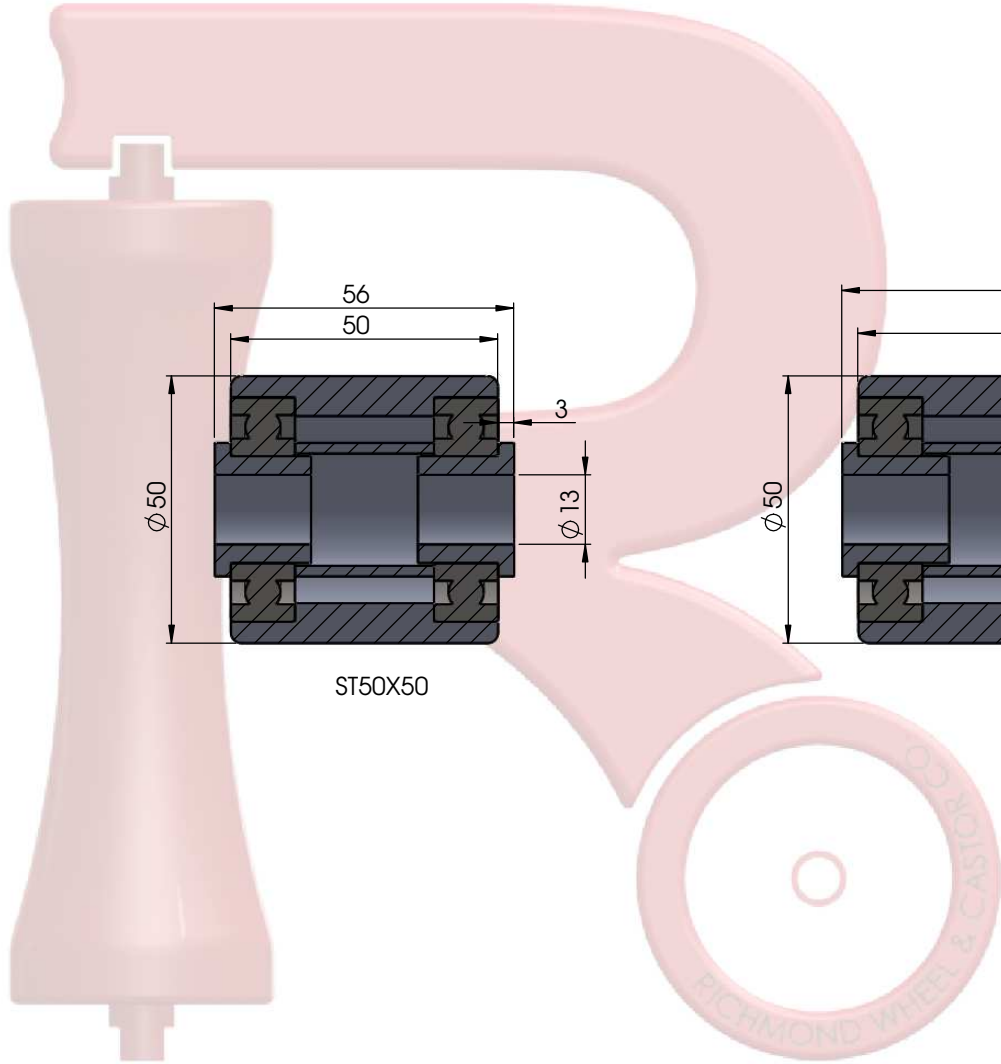
ST50X30



ST50X50



ST50X75



CUSTOMER APPROVAL:

COMPANY:
SALES PERSON:
NAME:
SIGN:
DATE:

DO NOT SCALE DRAWING	REVISION	FINISH:
----------------------	----------	---------

PROPRIETARY AND CONFIDENTIAL
 THE INFORMATION CONTAINED IN THIS DRAWING IS THE SOLE PROPERTY OF Richmond Wheel & Castor Co. ANY REPRODUCTION IN PART OR AS A WHOLE WITHOUT THE WRITTEN PERMISSION OF Richmond Wheel & Castor Co. IS PROHIBITED.

	NAME	SIGNATURE	DATE
DRAWN	BREON	BWM	9/10/2019
CHKD	SY	SY	9/10/2019
APPVD	RAY	RW	9/10/2019
MFG	SY	SY	9/10/2019
Q.A	BARRY	BN	9/10/2019

UNLESS OTHERWISE SPECIFIED: DIMENSIONS ARE IN MILLIMETERS TOLERANCES TO 0.25MM



TITLE:
RICHMOND WHEEL & CASTOR CO.

DWG. NO. **SOLID STEEL WHEELS 50MM** A3