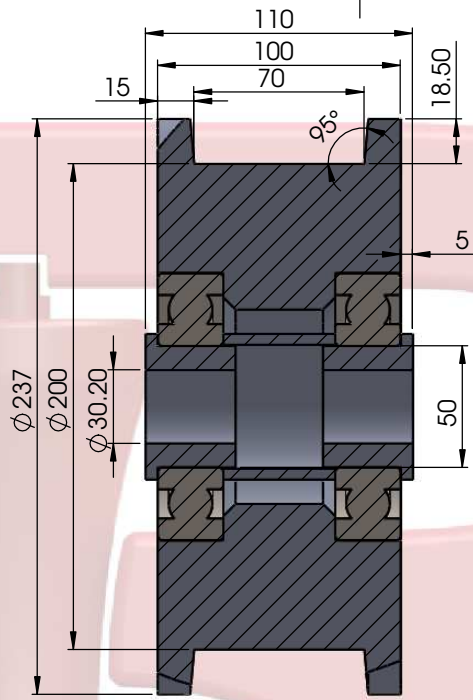
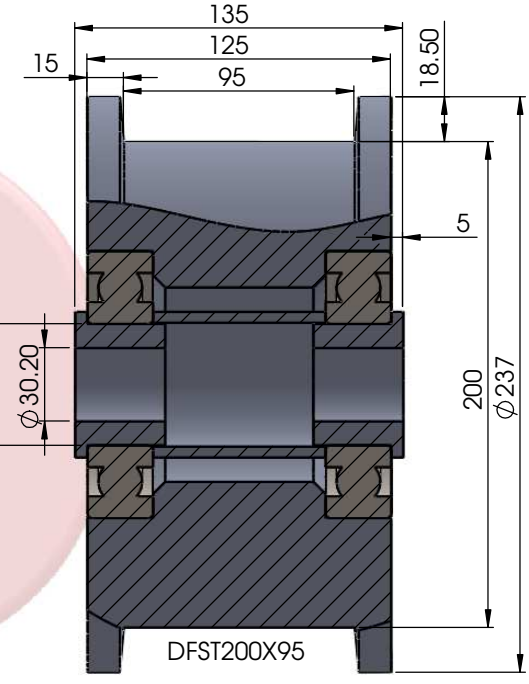


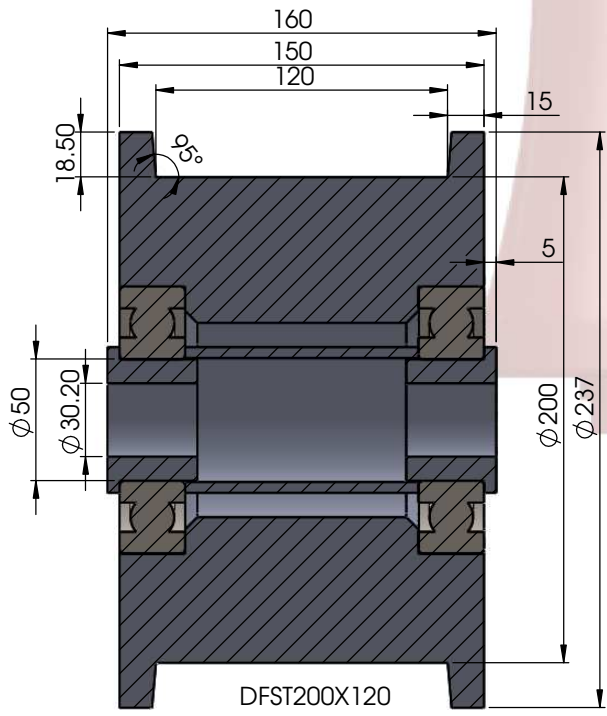
DFST200X45



DFST200X70



DFST200X95



DFST200X120

**PROPRIETARY AND CONFIDENTIAL**  
 THE INFORMATION CONTAINED IN THIS DRAWING IS THE SOLE PROPERTY OF Richmond Wheel & Castor Co. ANY REPRODUCTION IN PART OR AS A WHOLE WITHOUT THE WRITTEN PERMISSION OF Richmond Wheel & Castor Co. IS PROHIBITED.

	NAME	SIGNATURE	DATE
DRAWN	BREON	BWM	16/10/2019
CHKD	SY	SY	16/10/2019
APPVD	RAY	RW	16/10/2019
MFG	SY	SY	16/10/2019
Q.A	BARRY	BN	16/10/2019
UNLESS OTHERWISE SPECIFIED: DIMENSIONS ARE IN MILLIMETERS TOLERANCES TO 0.25MM		DEBUR AND BREAK SHARP EDGES	



**CUSTOMER APPROVAL:**

COMPANY: \_\_\_\_\_

SALES PERSON: \_\_\_\_\_

NAME: \_\_\_\_\_

SIGN: \_\_\_\_\_

DATE: \_\_\_\_\_

DO NOT SCALE DRAWING    REVISION    FINISH:

TITLE: **RICHMOND WHEEL & CASTOR CO.**

DWG NO: **SOLID STEEL DOUBLE FLANGE WHEELS 200MM**

A3

SHEET 8 OF 13