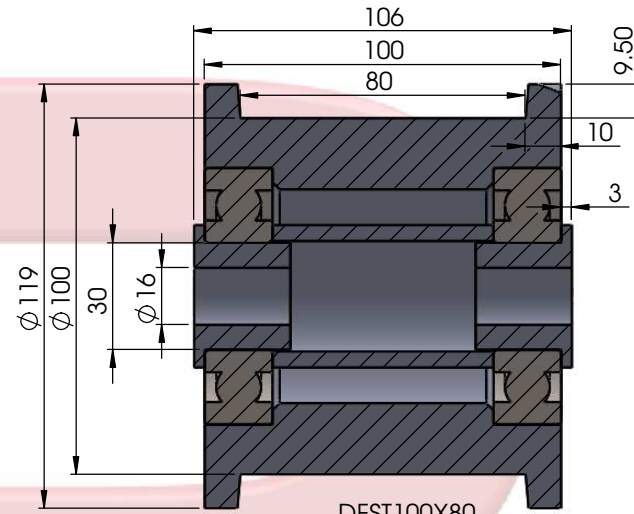
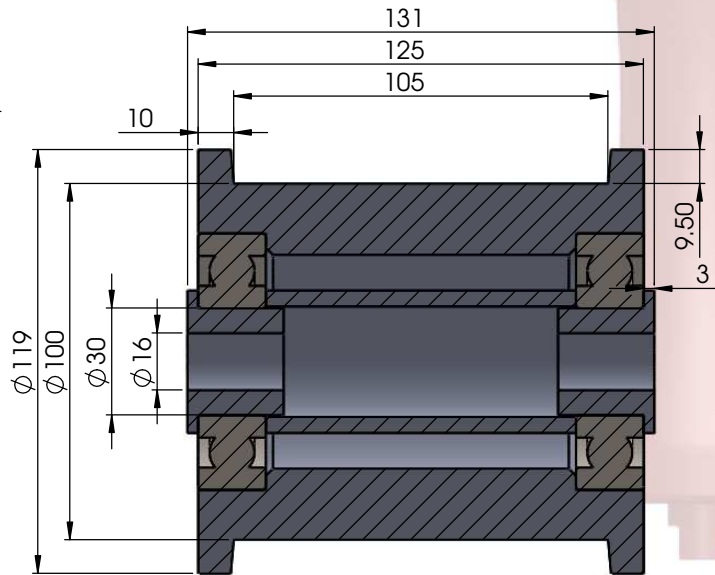


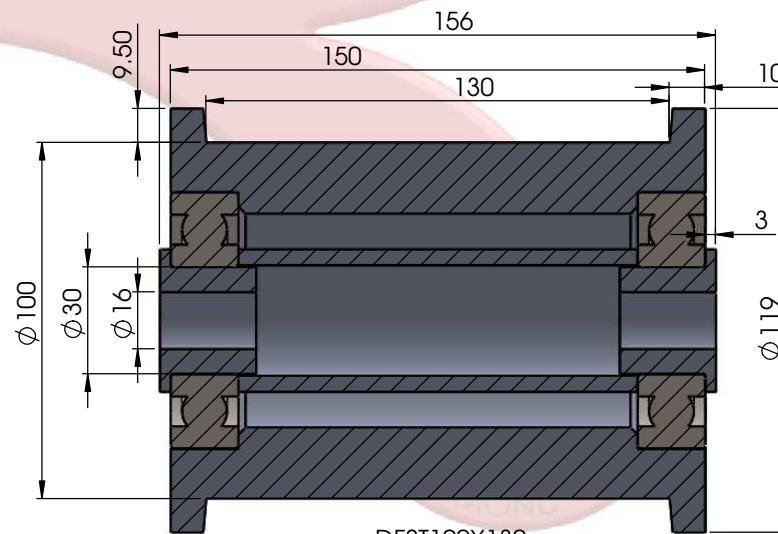
DFST100X55



DFST100X80



DFST100X105



DFST100X130

CUSTOMER APPROVAL:

COMPANY:
SALES PERSON:
NAME:
SIGN:
DATE:

DO NOT SCALE DRAWING    REVISION    FINISH:

**PROPRIETARY AND CONFIDENTIAL**  
 THE INFORMATION CONTAINED IN THIS DRAWING IS THE SOLE PROPERTY OF Richmond Wheel & Castor Co. ANY REPRODUCTION IN PART OR AS A WHOLE WITHOUT THE WRITTEN PERMISSION OF Richmond Wheel & Castor Co. IS PROHIBITED.

	NAME	SIGNATURE	DATE
DRAWN	BREON	BWM	15/10/2019
CHKD	SY	SY	15/10/2019
APPVD	RAY	RW	15/10/2019
MFG	SY	SY	15/10/2019
Q.A	BARRY	BN	15/10/2019
UNLESS OTHERWISE SPECIFIED: DIMENSIONS ARE IN MILLIMETERS TOLERANCES TO 0.25MM		DEBUR AND BREAK SHARP EDGES	



TITLE:  
**RICHMOND WHEEL & CASTOR CO.**

DWG. NO. **SOLID STEEL DOUBLE FLANGE WHEELS 100MM**    A3

WEIGHT:

SHEET 4 OF 13