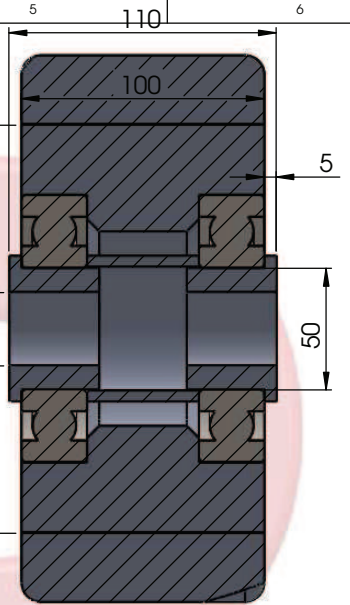
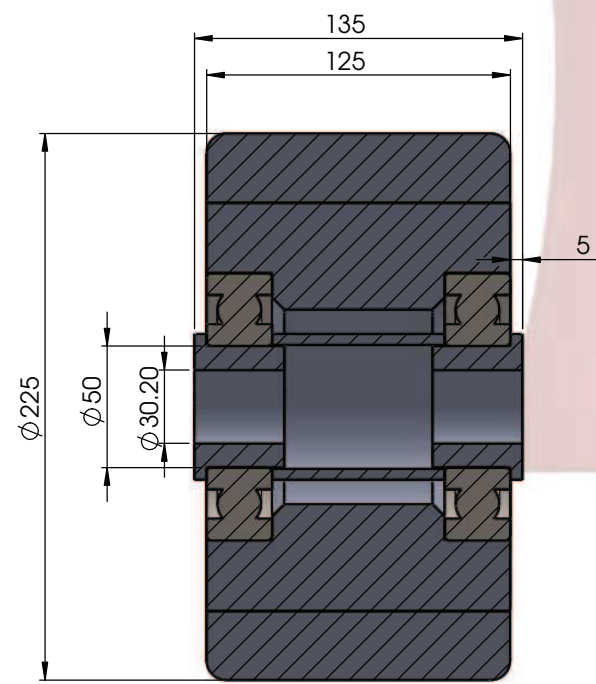


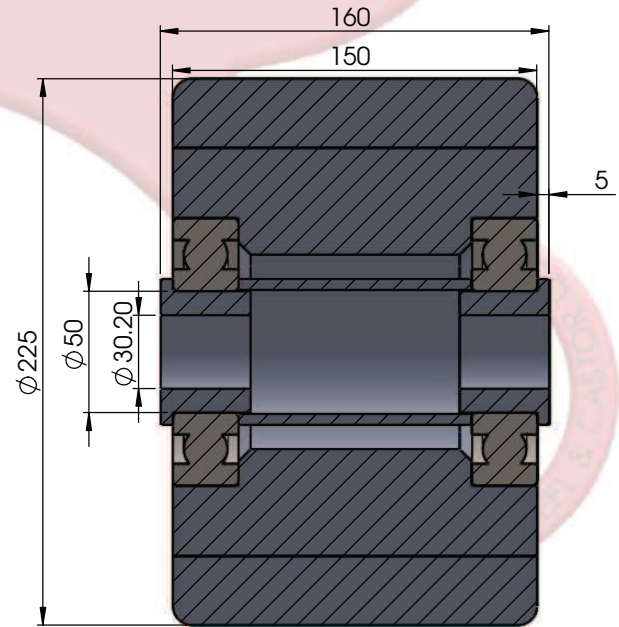
PUST1225X75



PUST1225X100



PUST1225X125



PUST1225X150

**PROPRIETARY AND CONFIDENTIAL**  
 THE INFORMATION CONTAINED IN THIS DRAWING IS THE SOLE PROPERTY OF Richmond Wheel & Castor Co. ANY REPRODUCTION IN PART OR AS A WHOLE WITHOUT THE WRITTEN PERMISSION OF Richmond Wheel & Castor Co. IS PROHIBITED.

	NAME	SIGNATURE	DATE
DRAWN	BREON	BWM	14/10/2019
CHKD	SY	SY	14/10/2019
APPVD	RAY	RW	14/10/2019
MFG	SY	SY	14/10/2019
Q.A	BARRY	BN	14/10/2019
UNLESS OTHERWISE SPECIFIED: DIMENSIONS ARE IN MILLIMETERS TOLERANCES TO 0.25MM		DEBUR AND BREAK SHARP EDGES	



**CUSTOMER APPROVAL:**

COMPANY: \_\_\_\_\_  
 SALES PERSON: \_\_\_\_\_  
 NAME: \_\_\_\_\_  
 SIGN: \_\_\_\_\_  
 DATE: \_\_\_\_\_

DO NOT SCALE DRAWING	REVISION	FINISH:
----------------------	----------	---------

TITLE:  
**RICHMOND WHEEL & CASTOR CO.**

DWG NO. PU TYRED STEEL CENTRE WHEELS 225MM A3