

Thank you for purchasing another quality product from Richmond Engineering. Please carefully read and understand the instructions below, as failure to do so may void any warranty. Please save these instructions for future reference.

Safety Instructions:

- Please note all electrical installations must be carried out by a qualified electrician.
- Ensure all mains power is off before commencing any electrical installations.
- Please do not modify any part of this product as this will automatically void warranty.
- Lamp can become hot very quickly. Please ensure to follow the installation instructions and never place lamp near or in flammable material. Also pay strict adherence to the gap requirements.
- Never operate lamp with faulty casing or missing lens cap.

Product Specifications:

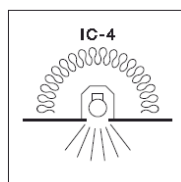
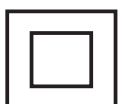
Models:	LER001
Housing:	Stainless steel
Finish:	Stainless steel
Lens:	Acrylic
Wiring:	1.5 meter SAA rubber covered wire
Lamp:	Edison LED clip
Power:	240V 4W
Angle:	120°
Storage conditions:	Cool and Dry
IP Rated:	IP66
CCT:	5000K
TA:	25°C
Category:	IC-4

LED light contains its own inbuilt driver, converting 240V to 12V without any other accessories.

Installation:

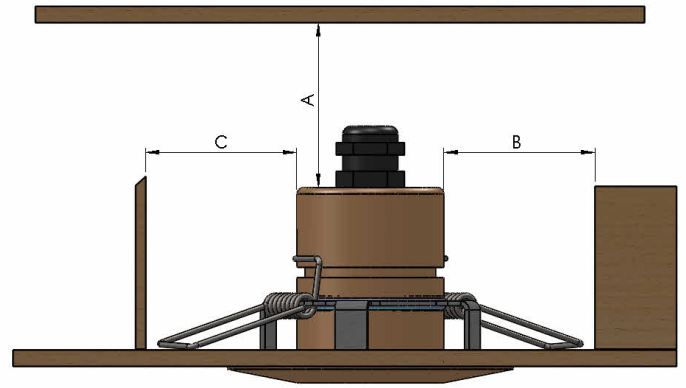
Interior products must be installed to ensure the lamp unit or the drive are not covered with any combustible materials or insulation; minimum spacing's nominated for these materials are mandatory. When mounting multiple fixtures to conductive structures, it is recommended that the structure is earthed. IP ratings stated (if any) are from below the ceiling unless stated, and the installation of the product must be in a manner that maintains the integrity of the relevant IP rating.

IP66

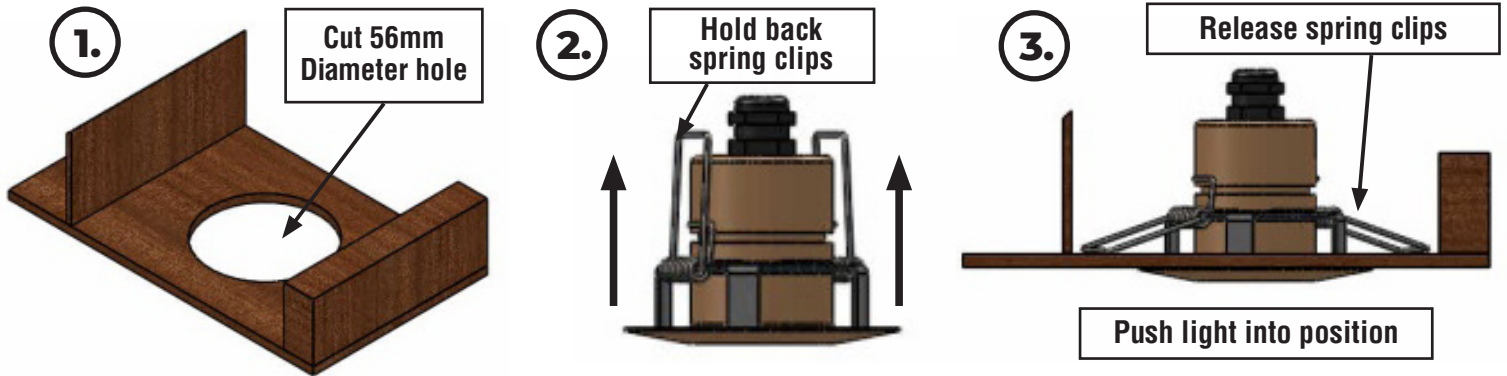


Recommended Gap:

A	Minimum gap above to top of light	30mm
B	Minimum side gap to structure	30mm
C	Minimum gap to insulation	30mm



How to Install Light:



Please Note:

For Z Type Attachments:

The external flexible cable for this light cannot be replaced. If the cord is damaged the unit should be disposed of.

For non-user replaceable light sources:

The light source contained in this unit must only be replaced by a licensed electrician. Unlicensed persons must not attempt to replace the light source themselves.

Warranty:

This product is guaranteed against any defects in materials or workmanship for a period of 1 year from the date of purchase when used under normal working conditions.

The period of time (Guarantee) is conditional on the product being used for no more than 10Hrs per day. If this product is used in excess of the stated hours per day, a pro rata period applies.

The warranty is strictly limited to repairing or replacing any defective product. The warranty does not cover any electrical costs associated in the replacement of the defective product (s) or any parts unless agreed with the supplier/manufacture and are confirmed in writing by Richmond Engineering & authorized by the authorized personnel.

THE WARRANTY IS SUBJECT TO THE FOLLOWING CONDITIONS:

1. Installation must be carried out by licensed electrician.
2. Proof of purchase must be provided.
3. Any faults found concerning incorrect installation will void the warranty.
4. All warranty parts are to be returned for inspection. All return claimed products remain the property of Richmond wheels and Castor Co. Warranty will only be given once proof of purchase has been made and the returned defective part has been assessed by our technical team.

NOT COVERED IN WARRANTY:

1. Damage due to any environmental factors deemed to be outside of the direct control of Richmond Engineering's lighting.
2. Defects caused by voltage surges/spikes or damage caused by water or fire, alterations to the original manufacture of the purchased products.

This product has been tested and passed to Richmond Engineering's strict quality assurance requirements and has been inspected by our Quality Assurance manager.

Richmond Engineering is an ISO 9001 certified company and thus all products are manufactured to exceed or meet these requirements.