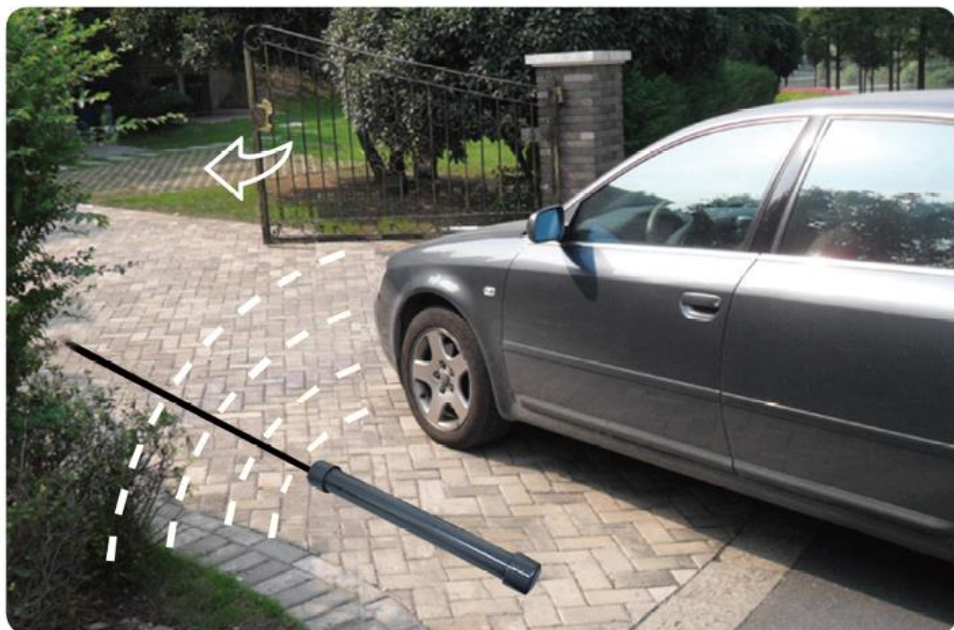


GTR147 Exit Wand

Installation and Operation Instructions



Please read this manual thoroughly before installation.

The Exit Wand may sense bicycles or other equipment with a large mass of metal, and activate the gate opener.

R RICHMOND®
WHEEL & CASTOR CO

1300 474 246

www.richmondau.com

Thank you for your purchasing the GTR147 Exit Wand.

This product is designed to be used with most brands of Gate Opener to provide hands free operation of your gate. When used with Richmond Gate Automation Kits a PCB adapter will need to be added. These instructions will show how to connect to any Richmond Gate Automation Kit.

How it Works: The gate opens automatically when the wand senses the vehicle moving past.

The kit has three elements: The Exit Wand with 5-core cable, Range Adjustment Board and Adapter Board.

Package Contents



Before You Start

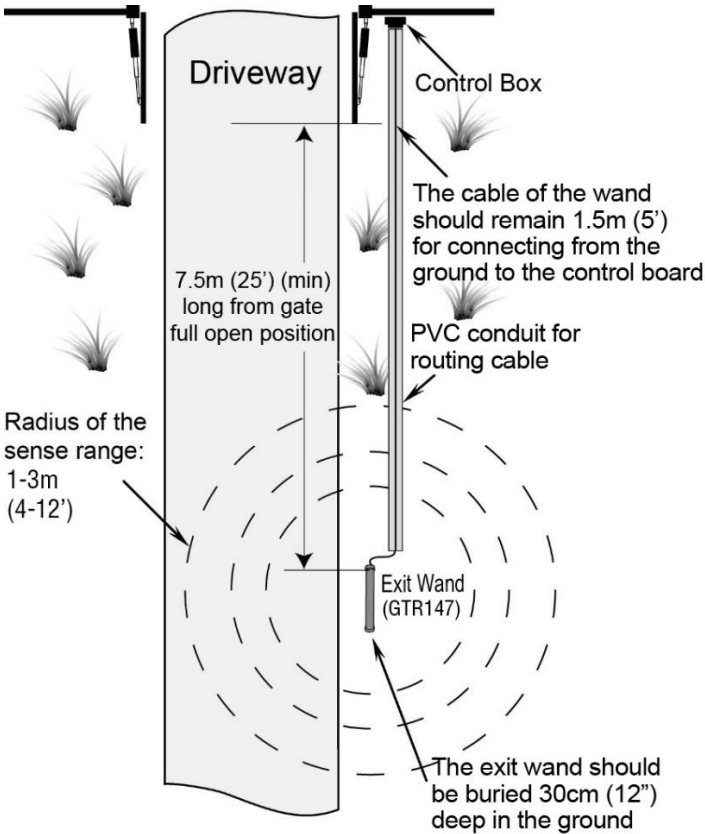
NOTE: Before you permanently install the EXIT WAND, you may wish to lay some PVC conduit between the Exit Wand and the control box. This will help to protect the cable from lawn mowers, floods and other damage.

NOTE: To ensure your home security, we strongly recommend you use the **Auto Close function of the gate opener.**

Positioning the Exit Wand

The Exit Wand should be installed more than 8m (25') from the fully open position of the gate. The range of the Exit Wand is 1-3m (4' – 12') and should be placed as close to the driveway as possible.

The cable supplied is 15m (50') and must reach the Circuit Board inside the control box, installation recommended no more than 14m from the control box.



Installing

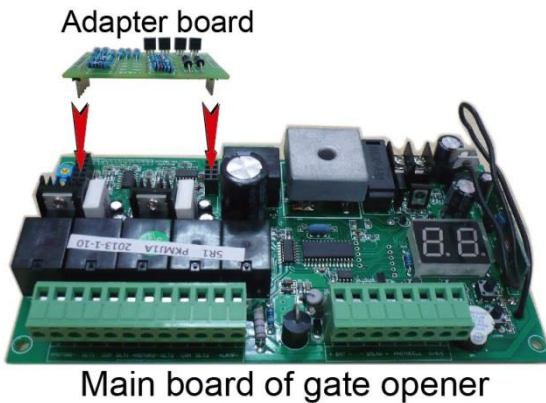
Once the position of the wand has been determined, you can start installing the wand. Dig a hole approximately 30cm (12") deep and 60cm (24") long within 60cm of the driveway, and make sure it is parallel to the direction of travel.

Dig a trench from this hole to a spot under the gate opener control box if you plan to install PVC conduit to the Control Box.

Keep the Exit Wand and the cable uncovered until all functions of the wand have been tested and the gate is successfully opening and closing automatically.

Wiring the Exit Wand

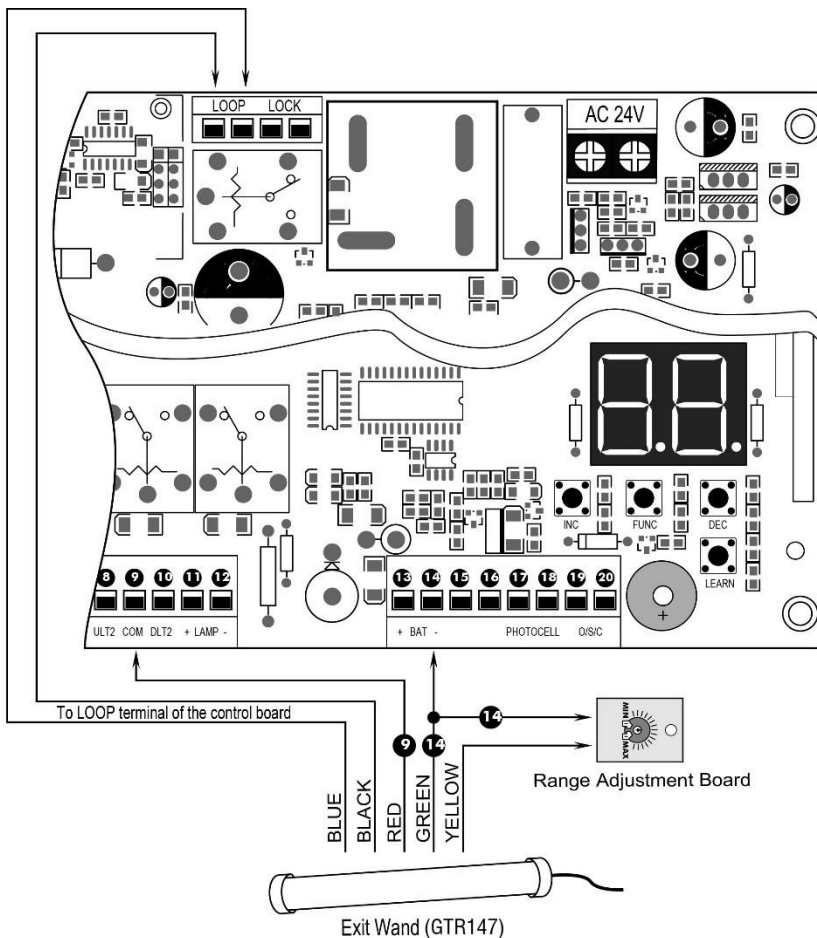
Note: This wiring is for connecting to Richmond Gate Automation Kits. Insert the adapter board into the loop detector socket of the control board.



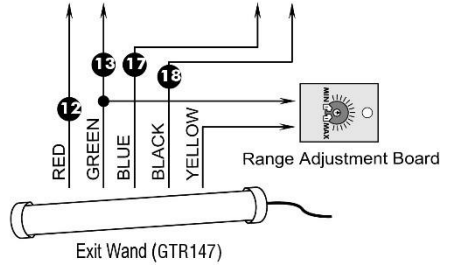
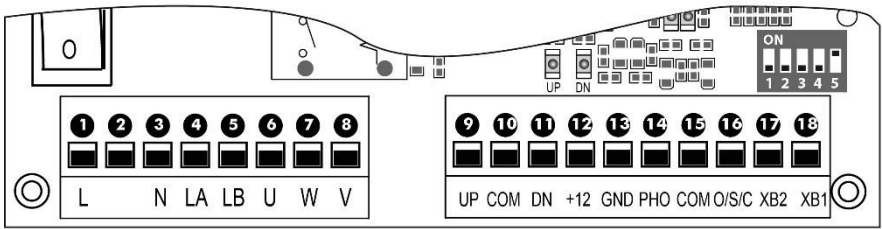
This photo shows you how to insert the adapter board to main control board of **GTR058/GTR100** Gate Openers.

Wire the 5 core cable to the Control Board as per the diagrams shown below. Please ensure you follow the correct diagram for the Gate Automation Kit you are using.

GTR058/GTR100/GTR099 Swing Gate:



GTR064 Sliding Gate:



Testing **please make sure you test before covering or burying the exit wand*

NOTE: Please make sure there are no moving metal objects within the range of the sensor when the Exit Wand is first powered up and allow 60 seconds for the Exit Wand to perform self-test and environment calibrations.

After installation and wiring, you must test to see if the exit wand is working properly.

Ensure the control board on the gate kit is set to auto-close with the required closing time (refer to the manual for your gate kit for instructions on setting auto-close and required closing time).

When using the exit wand for the first time: Once the gate opens you will need to close the gate using the gate remote. This will then activate the auto closing mode within the exit wand.

The unit will not auto-close until the above step in RED is complete.

Adjust the range using the Range Adjustment Board for optimum performance:

- Turn the potentiometer clockwise to increase range.
- Turn the potentiometer counter-clockwise to decrease range.
- Once everything is tested and functions as required, bury the Exit Wand and the cable securely.

Trouble Shooting

If the Exit Wand is not working:

- Make sure all connections are correct.
- Make sure the Range Adjustment is set at maximum range.
- Disconnect the power to the Exit Wand, and then reconnect the power and wait for 60 seconds.