

Company  Email  Date

Attention  From  Order Number

### Roller Confirmation Sheet

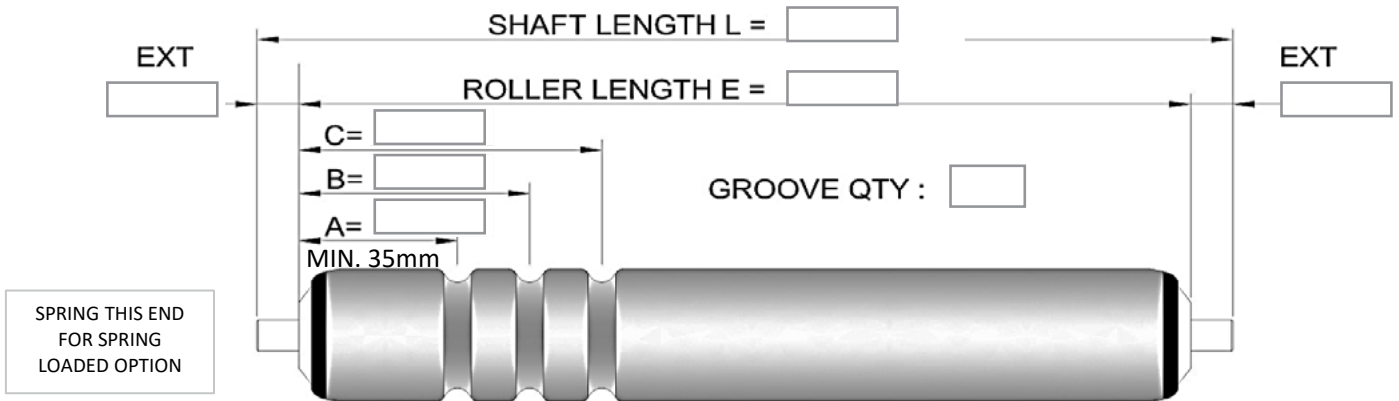
#### Roller Specification

Roller Series  Series

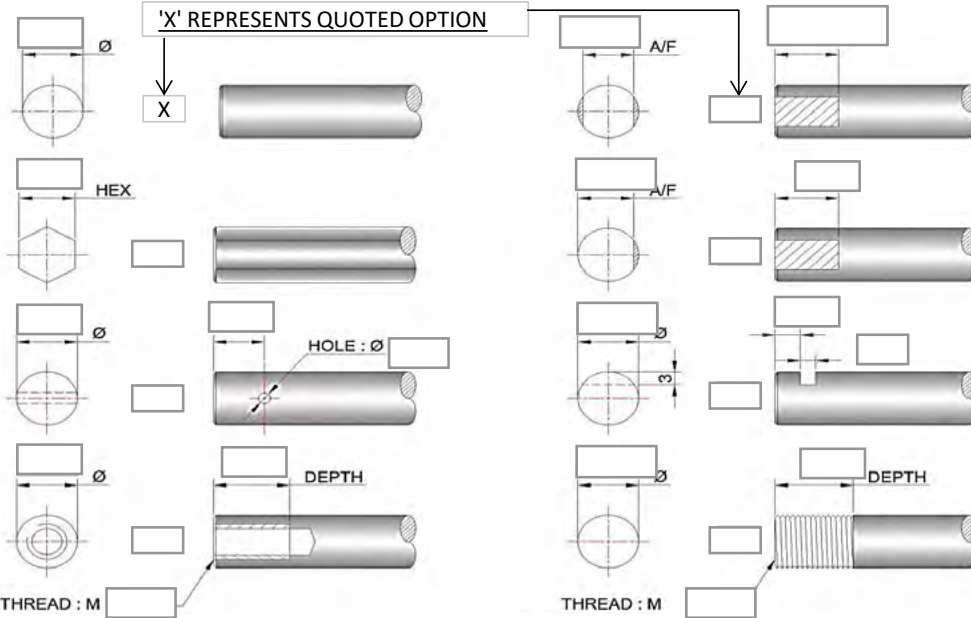
Tube Diameter  mm Wall Thickness  mm

#### Tube Specification

M/S Galvanised     M/S Zinc Plated     M/S Black  
 Stainless Steel     PVC    Other



### Shaft Confirmation



#### Shaft Material

Mild Steel     Zinc Plated  
 Stainless  
 Other (please specify)

#### Shaft Fixing

Spring Loaded     Fixed  
 Loose     No Shaft

#### Bearing Detail

Precision     Semi Precision  
 M/S or S/S

Quantity:  Quoted Price (Ex. GST):  Total:

General Notes: .....

Signed ..... Name ..... Date .....

Note: manufacture of rollers will not commence until a signed copy is returned Please sign and fax or email back for your approval