

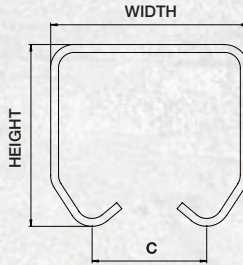
HANGING GATE & DOOR HARDWARE



HANGING CHANNEL

A range of Hanging Gate Channels to suit our range of Hanging Gate 2 Wheel Roller Sets, Hanging Gate 4 Wheel Roller Sets, and Hanging Gate Channel Brackets (both roof and wall mount).

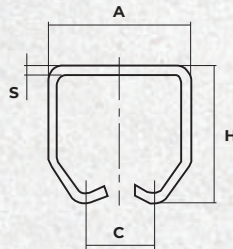
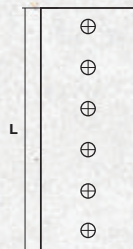
Suitable for use in the installation of hanging door/gate hardware in industrial, commercial, and residential environments.



Length (m)	C (mm)	Height (mm)	Width (mm)	Fits Hanging Channel Bracket (Roof Mount)	Fits Hanging Channel Bracket (Wall Mount)	Part No.
2.8	20	32	35	GTR075	GTR073	GTR148
5.8	20	32	35	GTR075	GTR073	GTR071
2.8	29	46	50	GTR041	GTR042	GTR149
5.8	29	46	50	GTR041	GTR042	GTR040
2.8	34	67	60	GTR076	GTR074	GTR150
5.8	34	67	60	GTR076	GTR074	GTR072

HANGING CHANNEL TRACK JOINER

Available to suit each channel size, the track joiners are used to join two lengths of hanging gate track together.



L (mm)	H (mm)	A (mm)	C (mm)	S (mm)	Part No.	Channel to suit
160	45	46	20	4	GTR151	35mm Channel GTR071 (5.8m), GTR148 (2.8m)
160	59	61	29	4	GTR152	50mm Channel GTR040 (5.8m), GTR149 (2.8m)
160	79	71	34	4	GTR153	60mm Channel GTR072 (5.8m), GTR150 (2.8m)

HANGING GATE & DOOR HARDWARE



HANGING 2 WHEEL ROLLER SET

These rollers move your door/gate smoothly along the hanging gate channel. Available to suit each channel width these rollers feature a threaded base, and can handle capacities ranging from 70 - 350kg.



Wheel Diameter (mm)	Thread	H1 (mm)	H (mm)	C (mm)	Capacity (kg)	Part No.	Channel to suit
25	M8	39	71.5	20	130	GTR068	35mm Channel GTR071 (5.8m), GTR148 (2.8m)
38	M12	68	124	29	190	GTR69	50mm Channel GTR040 (5.8m), GTR149 (2.8m)
55	M20	87	167	34	460	GTR070	60mm Channel GTR072 (5.8m), GTR150 (2.8m)

HANGING 4 WHEEL ROLLER SET

Sturdier than the 2 wheel rollers, these 4 wheel rollers feature a mounting plate to make the process of attaching the roller to the frame of your door/gate simple.



Wheel Diameter (mm)	Thread	H1 (mm)	H (mm)	C (mm)	Capacity (kg)	Part No.	Channel to suit
25	M8	39	71.5	20	130	GTR068	35mm Channel GTR071 (5.8m), GTR148 (2.8m)
38	M12	68	124	29	190	GTR69	50mm Channel GTR040 (5.8m), GTR149 (2.8m)
55	M20	87	167	34	460	GTR070	60mm Channel GTR072 (5.8m), GTR150 (2.8m)

HANGING GATE & DOOR HARDWARE



HANGING CHANNEL BRACKET (WALL MOUNT)

Available to suit each channel width these brackets feature a back plate for mounting the hanging roller channel flat against the wall.



A (mm)	C (mm)	H (mm)	H1 (mm)	L (mm)	Part No.	Channel to Suit
46	20	50	50	60	GTR073	35mm Channel GTR071 (5.8m), GTR148 (2.8m)
62	29	64	50	70	GTR042	50mm Channel GTR040 (5.8m), GTR149 (2.8m)
71	34	85	50	80	GTR074	60mm Channel GTR072 (5.8m), GTR150 (2.8m)

HANGING CHANNEL BRACKET (ROOF MOUNT)

Available to suit each channel width these brackets feature a top facing plate that attaches flat to your roof and holds the hanging roller channel in place.



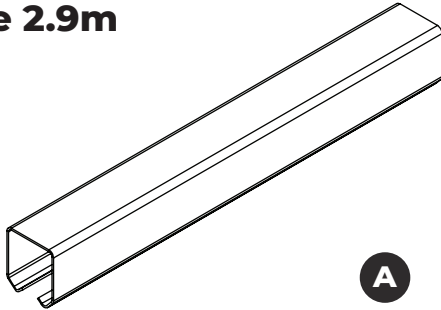
A (mm)	B (mm)	H (mm)	L (mm)	Part No.	Channel to Suit
52	7	48	110	GTR075	35mm Channel GTR071 (5.8m), GTR148 (2.8m)
71	11.5	71	120	GTR041	50mm Channel GTR040 (5.8m), GTR149 (2.8m)
120	14	86	130	GTR076	60mm Channel GTR072 (5.8m), GTR150 (2.8m)

HANGING GATE & DOOR PARTS SETUP



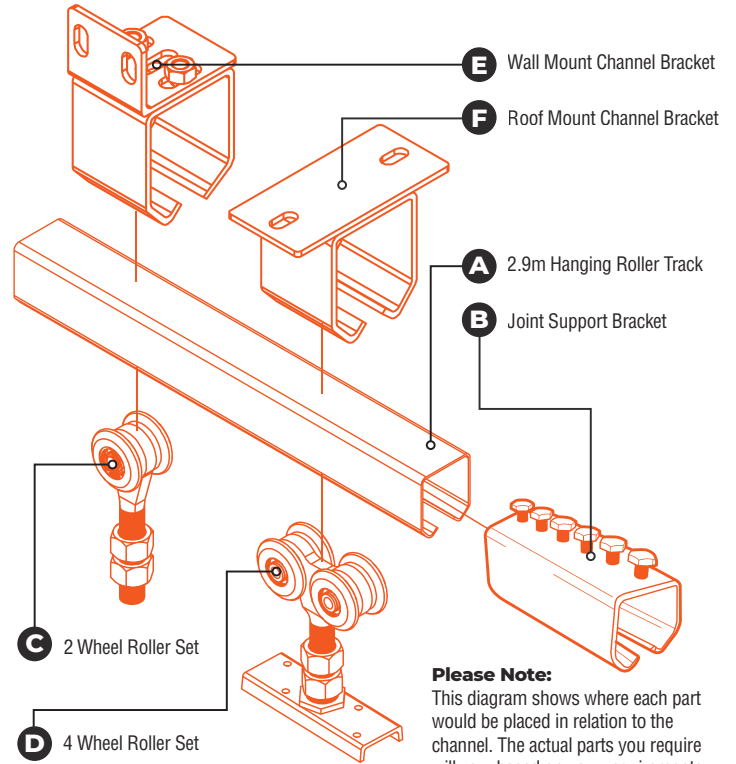
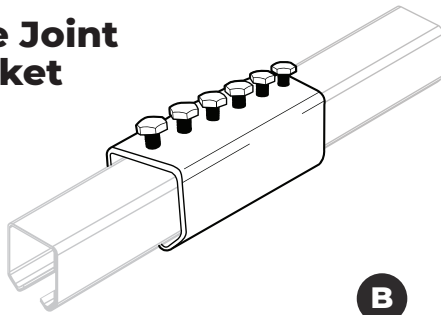
Hanging Gate 2.9m Roller Track

Available in 3 sizes (35mm, 50mm, and 60mm wide) to accommodate large and higher capacity rollers and door/gate frames.



Hanging Gate Joint Support Bracket

Available to suit each channel width, these support brackets are used to join two lengths of hanging gate track together.

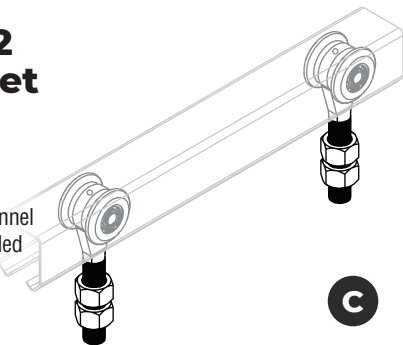


Please Note: This diagram shows where each part would be placed in relation to the channel. The actual parts you require will vary based on your requirements.

ROLLER TYPES

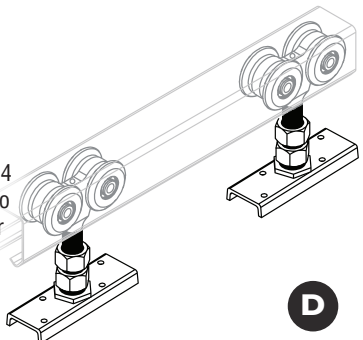
Hanging Gate 2 Wheel Roller Set

These rollers move your door/gate smoothly along the hanging gate channel. Available to suit each channel width these rollers feature a threaded base, and can handle capacities ranging from 70 - 350kg.



Hanging Gate 4 Wheel Roller Set

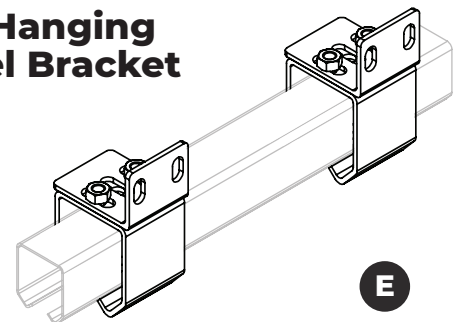
Sturdier than the 2 wheel rollers, these 4 wheel rollers feature a mounting plate to make the process of attaching the roller to the frame of your door/gate simple! These rollers are suitable for capacities ranging from 130 - 460kg.



BRACKET TYPES

Wall Mount Hanging Gate Channel Bracket

Available to suit each channel width these brackets feature a back plate for mounting the hanging roller channel flat against the wall.



Roof Mount Hanging Gate Channel Bracket

Available to suit each channel width these brackets attach flat to your roof and hold the hanging roller channel in place.

