

CENTRAL LOCKING MEDICAL CASTORS



Patient comfort is vital in the health care industry and also the ease at which medical personnel can move equipment and patients to and from procedure rooms.

Richmond Central Locking Castors address that both patient and personnel are both equally as important. These castors offer smooth running, positive brake performance, quiet motion and an attractive chrome finish.



S8293B



Diameter (mm)	Width (mm)	Wheel Type	Bearing Type	Load Capacity	Height (mm)	Stem Diameter (mm)	Swivel Radius (mm)	Swivel Code
100	32	Grey Rubber	Ball	100/90	142	28	80	S4293
125	32	Grey Rubber	Ball	100/90	164	28	102	S5293
150	32	Grey Rubber	Ball	120/100	192	28	125	S6293
200	32	Grey Rubber	Ball	120/100	240	28	157	S8293

BRAKE OPTIONS: B = Total Lock & Brake D = Directional Lock

To order castors with Total Lock & Brake or Directional Lock add B or D to end of swivel code e.g. S4293B

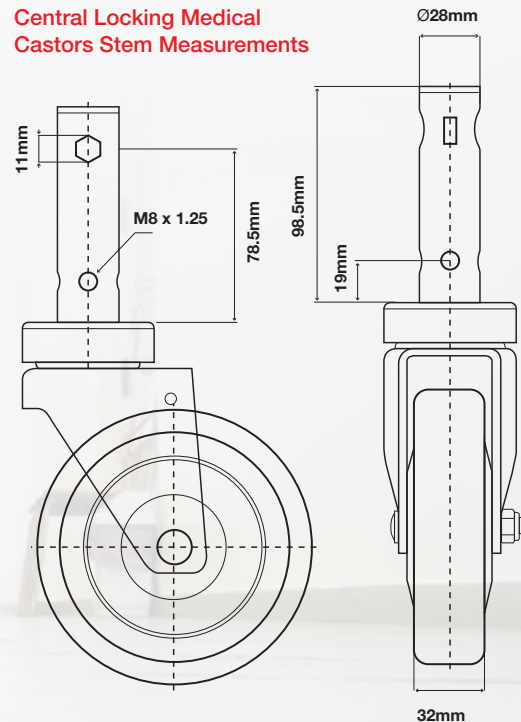


S5293



S5293B

Central Locking Medical Castors Stem Measurements



The markings at the top of the castor stem denote the brake type of that castor



Directional Lock



Total Lock



Free Swivel