

# ADJUSTABLE CATERING LEGS

## STAINLESS STEEL

Made mainly for catering equipment such as display fridges and bain maries, Richmond's stainless steel adjustable catering legs are interchangeable with all leading manufacturers.

Catering legs allow for easy access under equipment to ensure a clean and hygienic environment. Simple adjustability allows levelling of the unit and is quick and accurate whilst providing stability.

Catering legs are designed for easy installation when incorporated with the matching thread baseplate, also available from Richmond.



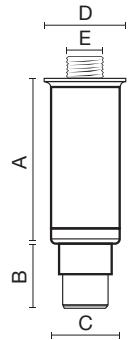
REFADJLEG105

REFADJLEG146



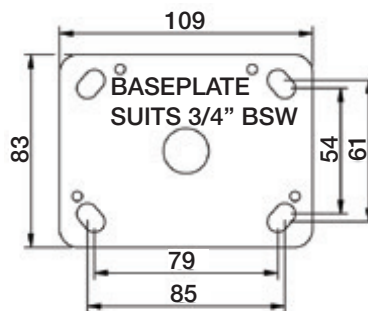
## SPECIFICATIONS & FITTINGS

Height (mm) (A)	Adjustment Height (mm) (B)	Tube Diameter (C)	Flange (D)	Thread (E)	Load (kg)	Product Code
105	105-130	50	60	3/4" BSW	400	REFADJLEG105
130	130-147	50	60	3/4" BSW	400	REFADJLEG146



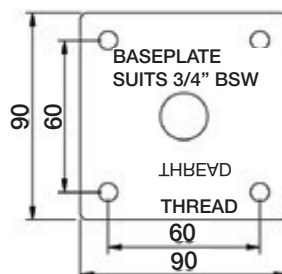
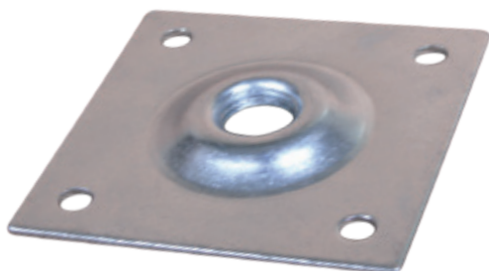
## THREADED BASE PLATES

ALLOWS FOR EASY INSTALLATION OF CASTORS OR ADJUSTABLE LEGS. SIMPLY WELD OR BOLT THE PLATE INTO POSITION, SELECT THE CASTOR OR ADJUSTABLE LEG AND SCREW INTO PLACE.



### REFPLT10983

Compatible with SKOPE brand display fridge units and bain maries



### REFPLT

Compatible with all major manufacture display fridges, preparation benches, bain maries, display cabinets etc.